



Exterior Signage Package

7555 SW Nyberg St, Tualatin, OR 97062

scope of work



EXISTING SIGNS		Sq Ft	PROPOSED SIGNS		Sq Ft	Elect. Req'd.	Amps / Voltage	Sign Weight	Special Instructions
FRONT (SOUTH) ELEVATION									
A	Cabela's Channel Letters	220.0	1	Johnny Morris Flag Sign	46.7	Y			Elemoose: to fabricate signage Cima: to Permit, & Install signage
B	RW Tagline Channel Letters	32.46	2	BPS Formed Main ID Cabinet	156.8	Y			Elemoose: to fabricate signage Cima: to Permit, & Install signage
C	Raceway Channel Letters	61.33	3	Outdoor World Wall Cabinet	198.4	Y			Elemoose: to fabricate signage Cima: to Permit, & Install signage
D	Raceway Channel Letters	48.0	4	Cabelas Channel Letters	86.1	Y			Cima: to Fabricate, Permit, & Install signage
			5	Tracker Letters & Backer Panel	113.9	Y			Cima: to Fabricate, Permit, & Install signage
		Total SF 361.79	Allowed SF 100.0		Total SF 601.9				

EXISTING SIGNS		Sq Ft	PROPOSED SIGNS		Sq Ft	Elect. Req'd.	Amps / Voltage	Sign Weight	Special Instructions
LEFT (WEST) ELEVATION									
E	Cabela's Channel Ltrs	228.0	6	BPS Illum. Sign Cabinet	266.6	Y	6.0A / 120v	989	Cima: to Fabricate, Permit, & Install signage
		Total SF 228.0	Allowed SF 100.0		Total SF 266.6				

EXISTING SIGNS		Sq Ft	PROPOSED SIGNS		Sq Ft	Elect. Req'd.	Amps / Voltage	Sign Weight	Special Instructions
FREESTANDING SIGNS									
F	Pylon Sign	20.1	7	Reface	20.1	existing	existing	existing	
G	Pylon Sign	16.5	8	Reface	16.5	existing	existing	existing	
		Total SF 46.6	Allowed SF Reface		Total SF 46.6				

drawing approval

Reviewed By: _____ Date: _____

Approved Approved As Noted Not Approved, Revise As Noted

revisions

REV#	DATE	REVISION NOTES:	BY	SHEET#
2	7.27.23	Added Electrical Details for Page #5	BE	Various
4	4.10.24	Moved ODW Cabinet Down to Over Windows - Added Typ Eng. Univ. Attachment Details - Hours Vinyl - First Surface	TK	Various
5	6.2.24	Per Markups	TK	Various

symbols key

	120 Volt Junction Box
	Elect Whip: 1/2"Ø x 6'-0" Lg Greenfield
	LED Power Supply
	Blocking Req'd
	Additional Structure Req'd.
	Special Condition Applies
	Access Panel - Field Cut
	Additional Information Req'd.
	Remove
	Remain As-Is
	Relocate



Cima Network Inc.
121 New Britain Blvd.
Chalfont, PA 18914

office: 267.308.0575
fax: 267.308.0577
www.cimainetwork.com

This is an original, unpublished drawing, created by Cima Network, Inc. It is submitted for your exclusive review, in connection with a project being proposed by Cima Network, Inc. It is not to be shown to anyone outside your organization, nor is it to be used, reproduced, copied or exhibited in any fashion without the expressed consent of Cima Network, Inc.

Client: Bass Pro Shops
Designer: KS PM: AOH

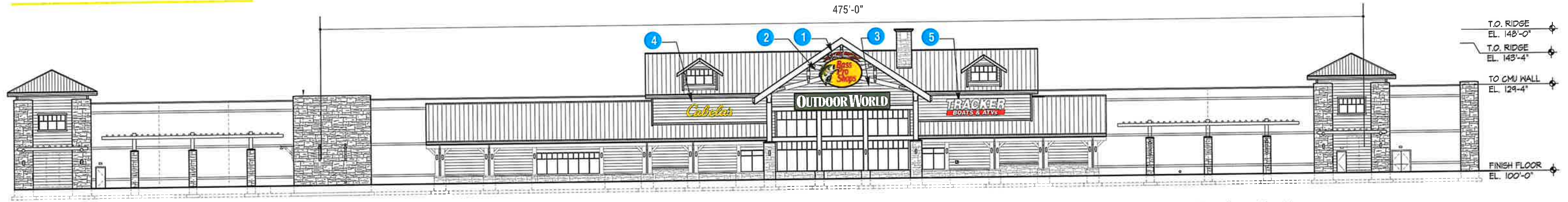
Job#: 34275
Address: 7555 SW Nyberg St, Tualatin, OR 97062

DATE **6.2.24**

REVISION **5**

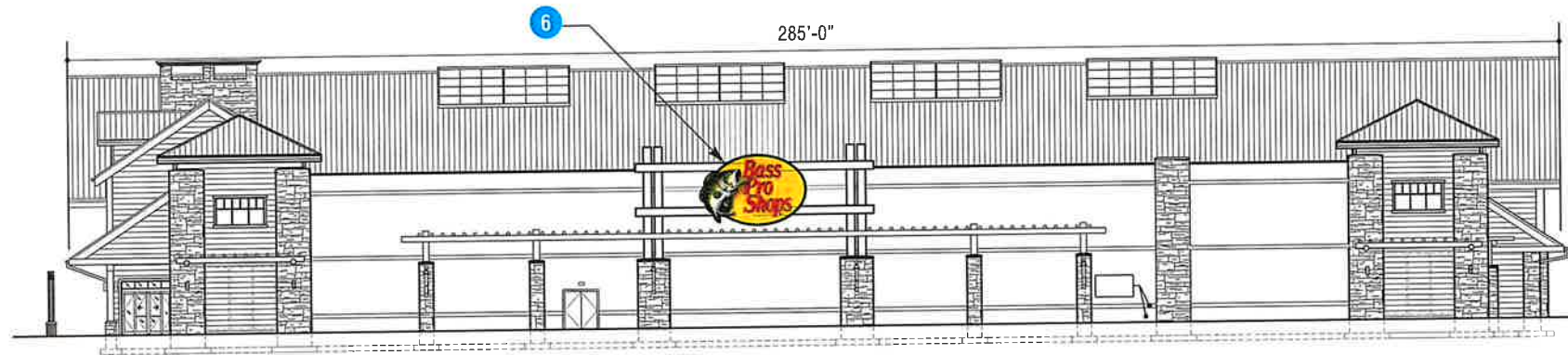


Building Elevations



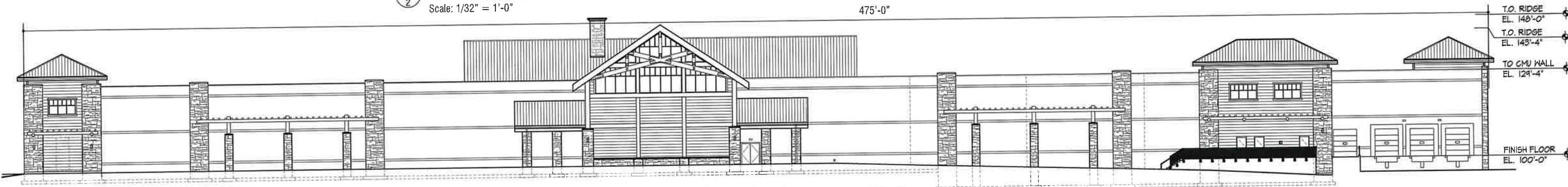
1 Building Front Elevation - South

Scale: 1/32" = 1'-0"
 T.O. RIDGE EL. 148'-0"
 T.O. RIDGE EL. 143'-4"
 TO CMU WALL EL. 129'-4"
 FINISH FLOOR EL. 100'-0"



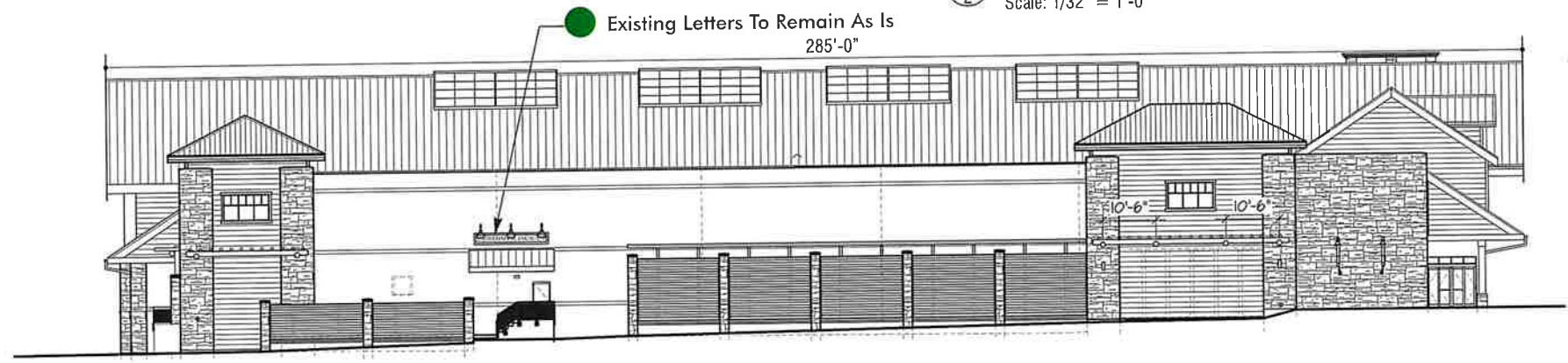
3 Building Side Elevation - West

Scale: 1/32" = 1'-0"



4 Building Rear Elevation - North

Scale: 1/32" = 1'-0"



2 Building Side Elevation - East

Scale: 1/32" = 1'-0"

Engineer: X
 License No: X
 Building Code: X
 Basic Wind Speed: X
 Risk Category: X



Cima Network Inc.
 121 New Britain Blvd.
 Chalfont, PA 18914
 office: 267.308.0575
 fax: 267.308.0577
 www.cimanetwork.com

This is an original, unpublished drawing, created by Cima Network, Inc. It is submitted for your exclusive review, in connection with a project being proposed by Cima Network, Inc. It is not to be shown to anyone outside your organization, nor is it to be used, reproduced, copied or exhibited in any fashion without the expressed consent of Cima Network, Inc.

Client: Bass Pro Shops
 Designer: KS PM: AOH

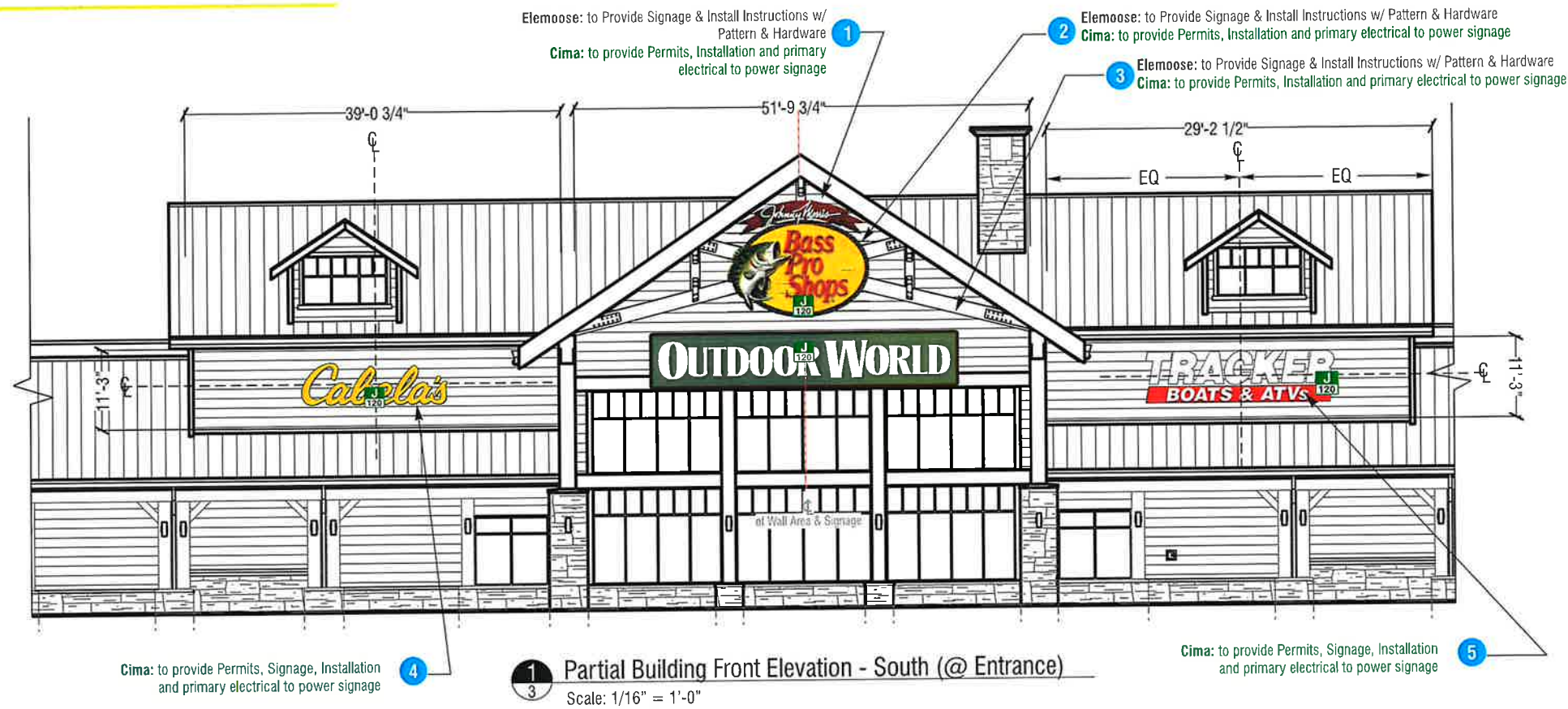
Job#: 34275
 Address: 7555 SW Nyberg St, Tualatin, OR 97062

DATE 6.2.24

REVISION 5



Sign Placement Details



Engineer: X
License No: X
Building Code: X
Basic Wind Speed: X
Risk Category: X

existing site photos



sign 1

"Johnny Morris" @ Front Elevation of Building
 ELEMoose - Manufacture
 CIMA - Permit & Install
 (1) Req'd.

ENGINEERING NOTE

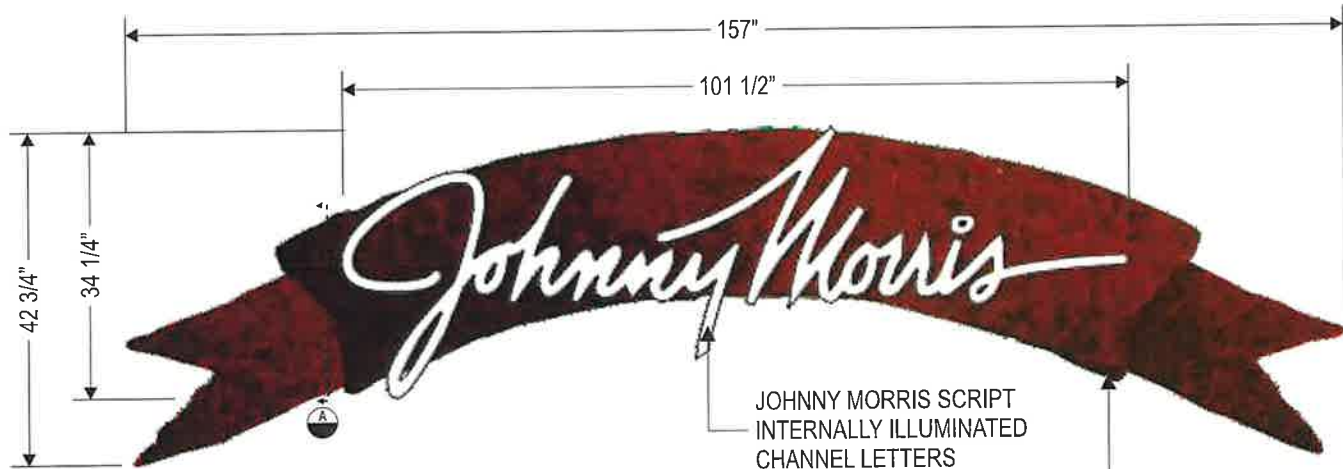
Y.J. INC. SPECIAL INSPECTION
 FOR POST INSTALLED ANCHORS PER ICC ESR 3187

CONSTRUCTION NOTES

- CHANNEL LETTER CABINET WITH BLACK RETURN, JEWELITE, AND VINYL.

PARTS LIST

Item	Qty / Sign	Part #	Description
①	TBD	MESP-00002263	1/8" MAX METAL
②	TBD	MELF-00006896	.040 X 3.5 BLACK COIL
③	TBD	PLS-00000720	3/16" WHITE ACRYLIC 60" X 120"
④	TBD	EL-00000441	HANLEY PURE WHITE LED
⑤	TBD	EL-00000465	HANLEY POWER SUPPLY
⑥	TBD	HW-00001253	1/4"-20 TOGGLE BOLTS
⑦	TBD	GR-00000425	BLACK JEWELITE
⑧	TBD	GR-00002005	BLACK VINYL
⑨	TBD	TBD	.063 ALUMINUM SHEET
⑩	TBD	TBD	2" x 1" x 1/8" ALUMINUM TUBE
⑪	TBD	TBD	2" x 1/4" FLAT BAR
⑫	12	TBD	1/4" -20 x 4"



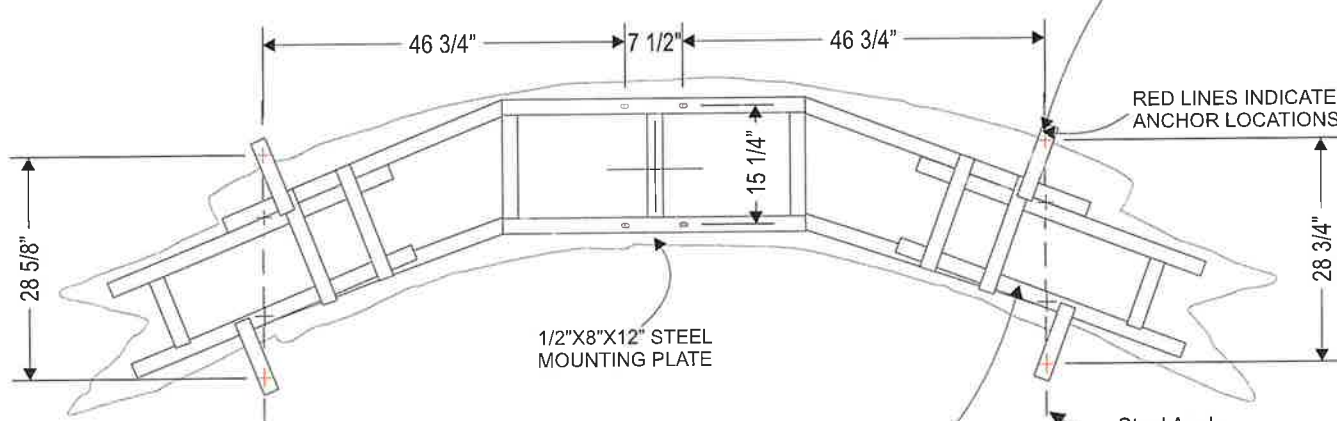
1 Elevation View
 Scale: 1/2"=1'-0"

46.7 sf

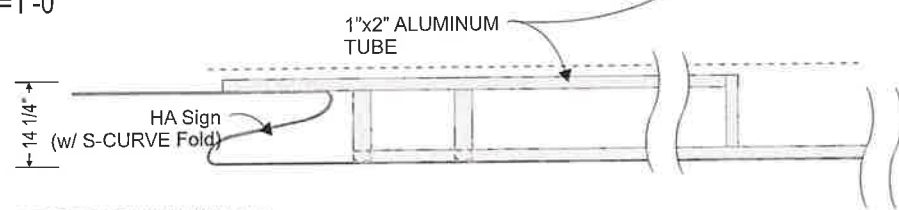
2 Side View
 Scale: 1/2"=1'-0"

COLOR CALLOUTS

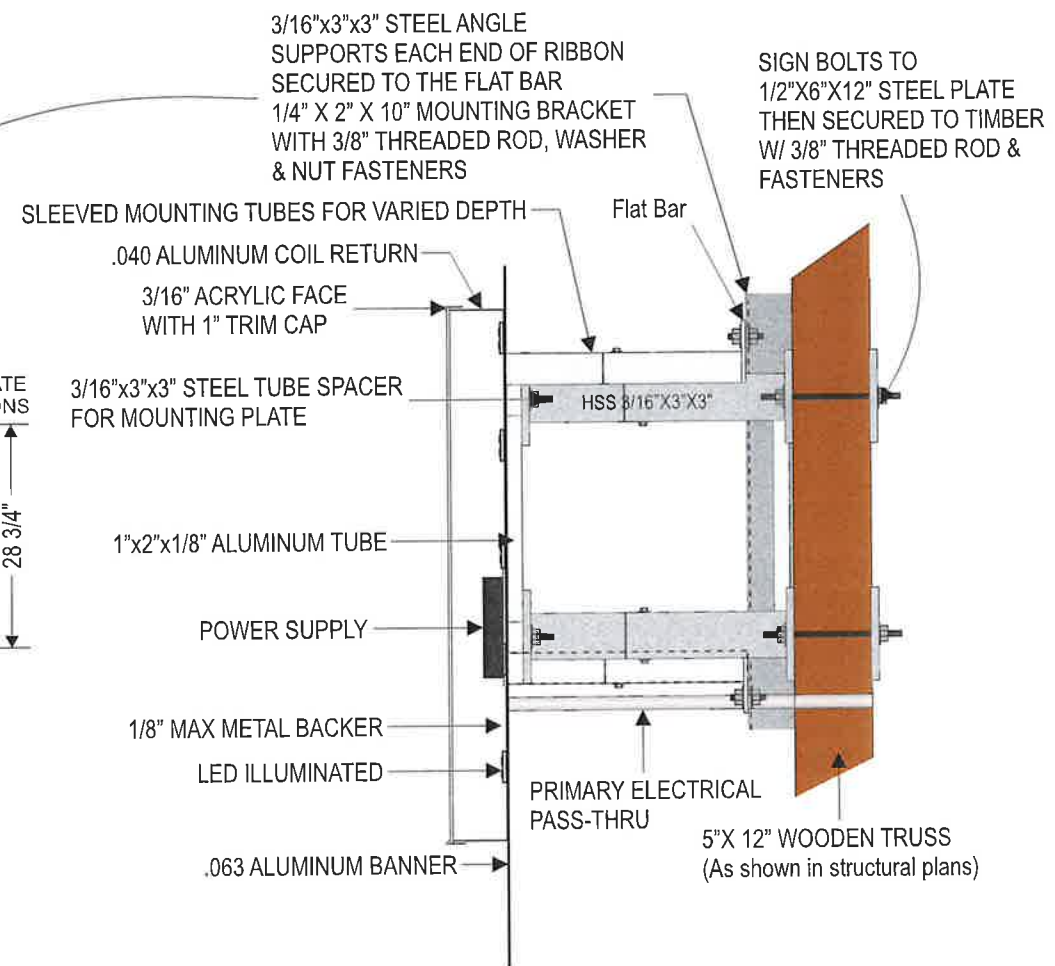
- a SPONGE RED
- b IMITATION GOLD
- c SATIN BLACK



FRONT VIEW: FRAMEWORK
 SCALE: 1/2"=1'-0"



SECTION PLAN VIEW A-A
 SCALE: NTS



SIDE SECTION VIEW
 SCALE: 1"=1'-0"

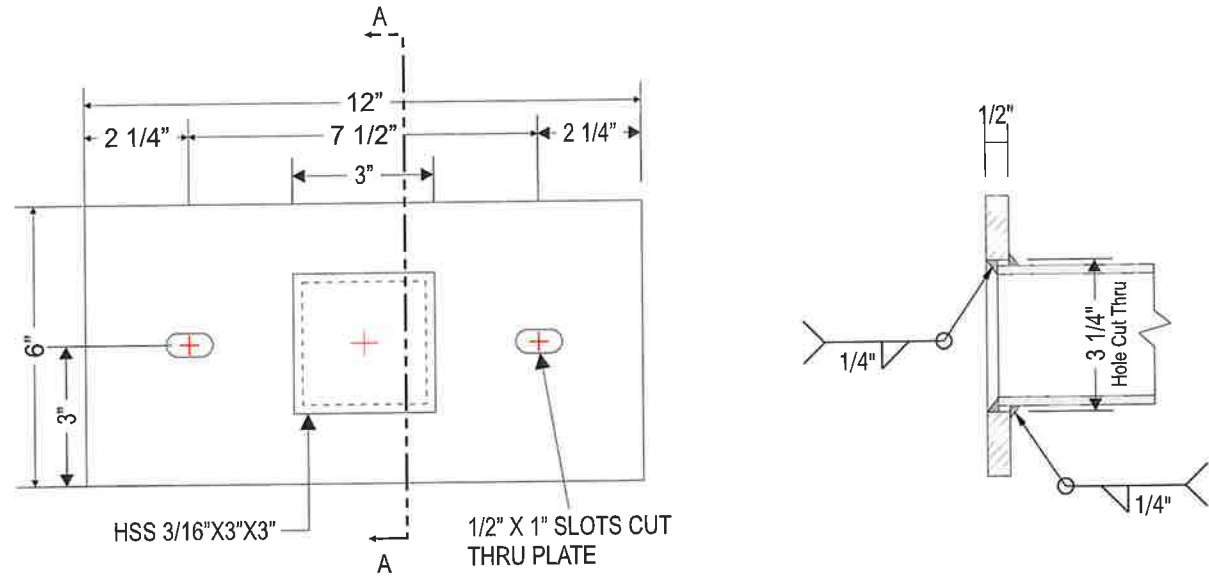
ELECTRICAL INFORMATION

This Sign To Be Constructed And Installed According To Article Code 250 & 600 Of Nec. Grounding And Bonding Of Sign As Per Nec 250

Power Supply Info.
 (4 qty) Hanley power supply (4002167) power req. total
 Variable Input: 100VAC-277VAC / .65A/115V / .35A/230V
 Output: 12V, 5A, 60W

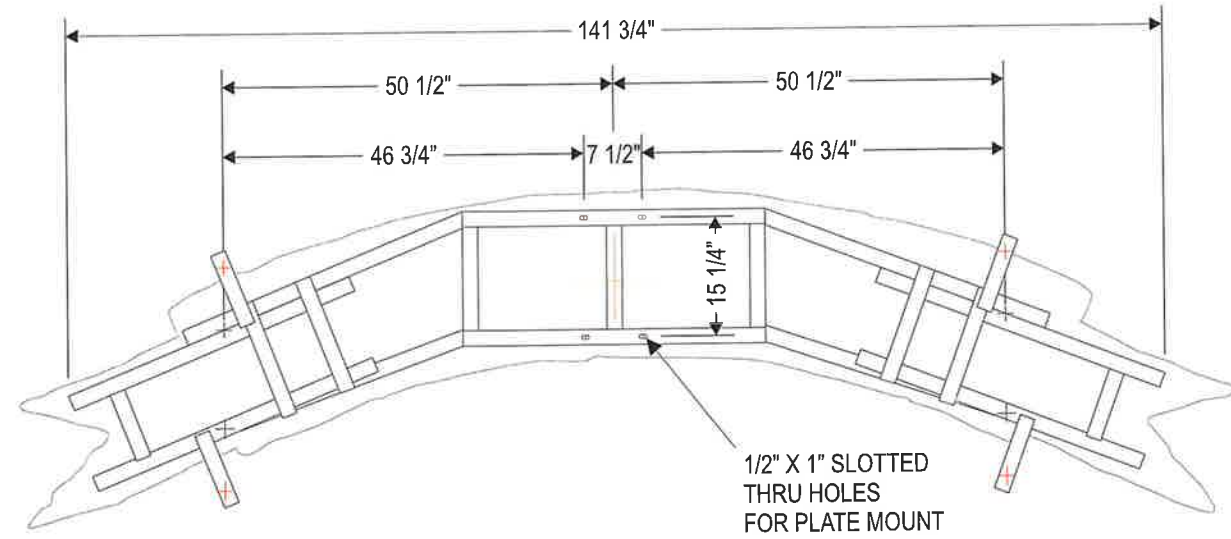
LED Info.
 (162 qty) Hanley LED PF-2080 (pure white)
 .8 watts / module (129.6 totals)

Engineer: X
 License No: X
 Building Code: X
 Basic Wind Speed: X
 Risk Category: X

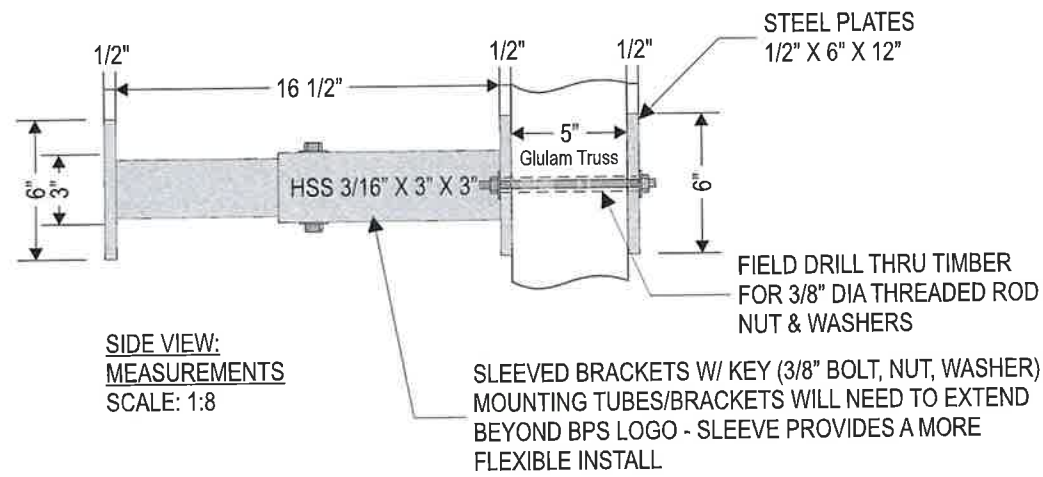


FRONT VIEW:
1/2" STEEL MOUNTING PLATE
SCALE: 1:4

SECTION VIEW A
MOUNTING PLATE
SCALE: 1:4

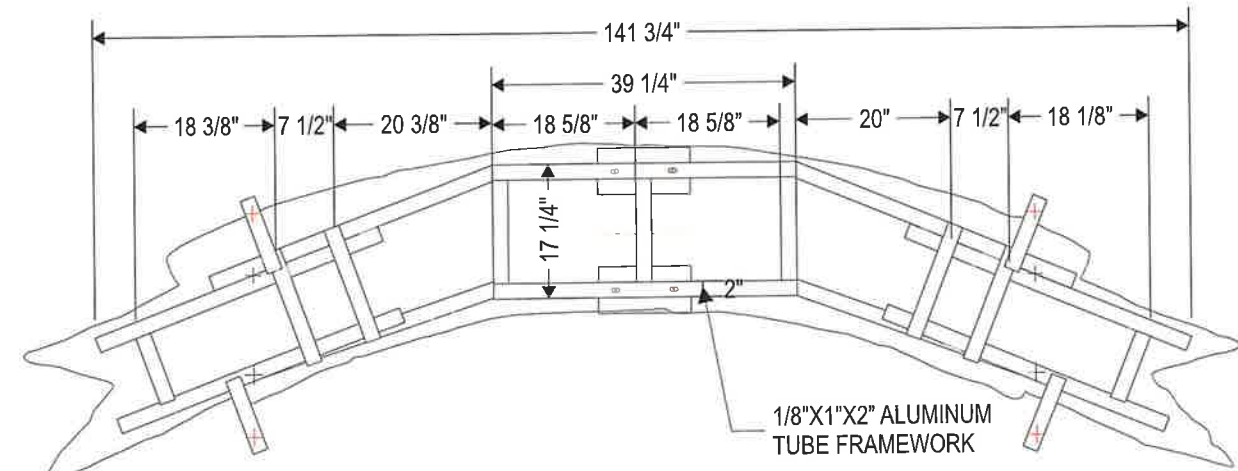


FRONT VIEW:
ANCHOR LOCATIONS
SCALE: 1/2"=1'-0"



SIDE VIEW:
MEASUREMENTS
SCALE: 1:8

SLEEVED BRACKETS W/ KEY (3/8\"/>



BACK VIEW: ALUMINUM TUBE
MEASUREMENTS
SCALE: 1/2"=1'-0"

Engineer: X
License No: X
Building Code: X
Basic Wind Speed: X
Risk Category: X

sign 2

"Bass Pro Shops Logo" @ Front Elevation of Building
 ELEMOOSE - Manufacture
 CIMA - Permit & Install
 (1) Req'd.

COLOR CALLOUTS		MATERIAL CALLOUTS	
(a)	Logo Border: Base Coat - Black (SW 2126)	(1)	Printed Flexface logo
(b)	2nd Coat - Sponged "Border #1" Top Coat - Sponged "Border #2"	(2)	2" EPS 2# White Foam, Chip Carved Border
(c)	Aluminum Cabinet & Returns: Painted "BPS Green" MP 8922 (Dupont 7498)	(3)	Acrylic: DR Clear .220" (100% Impact Modified)
(d)	Hand Paint: "BPS Green" - MP 8922 (Dupont 7498)	(4)	Acrylic: DR Red .187" (#2793 Impact Modified 50%)
		(5)	.063" Alum Return 9"X43'
		(6)	.080" Alum Retainer Face (w/4" return x43' feet)
		(7)	.080" Alum Backer 4'x8' sheets
		(8)	Sign Frame: 3"x2"x1/8" Alum Tube (X72 ft)
		(9)	#4001545 LED Hanley PF-2080, Qty (225) #4002167 Hanley Power Supplies, Qty (4)



2 Side View
 Scale: 1/2"=1'-0"

1 Signage - Front View
 Scale: 1/2"=1'-0" 156.8 sf

- Note:
- Quantities In This Shop Drawing Are For (1) Construction.
 - Vacuum-formed Fish & Letters With Pulled Flex-face Background.
 - Mounted On Aluminum Cabinet With LED Internal Illumination.
 - Steel Install Frames are separate FIN number. (DSM-2023)

ELECTRICAL INFORMATION

This Sign To Be Constructed And Installed According To Article Code 250 & 600 Of Nec. Grounding And Bonding Of Sign As Per Nec 250

Power Supply Info.
 #4002167 Qty (4) Hanley power supply power req. total
 Variable Input: 100VAC~277VAC / .65A/115V / .35A/230V
 Output: 12V, 5A, 60W

LED Info.
 #4001545 Qty (225) Hanley LED PF-2080 pure white
 .8 watts / module (180 total)

Engineer: X
License No: X
Building Code: X
Basic Wind Speed: X
Risk Category: X



Cima Network Inc.
 121 New Britain Blvd.
 Chalfont, PA 18914
 office: 267.308.0575
 fax: 267.308.0577
 www.cimanetwork.com

This is an original, unpublished drawing, created by Cima Network, Inc. It is submitted for your exclusive review, in connection with a project being proposed by Cima Network, Inc. It is not to be shown to anyone outside your organization, nor is it to be used, reproduced, copied or exhibited in any fashion without the expressed consent of Cima Network, Inc.

Client: Bass Pro Shops
 Designer: KS PM: AOH

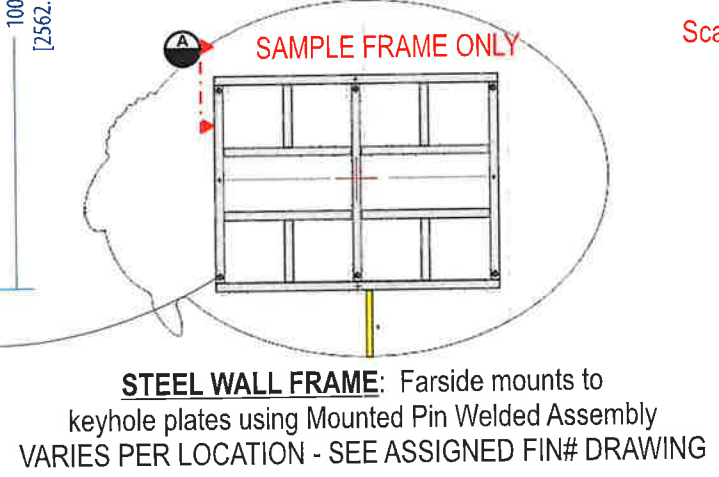
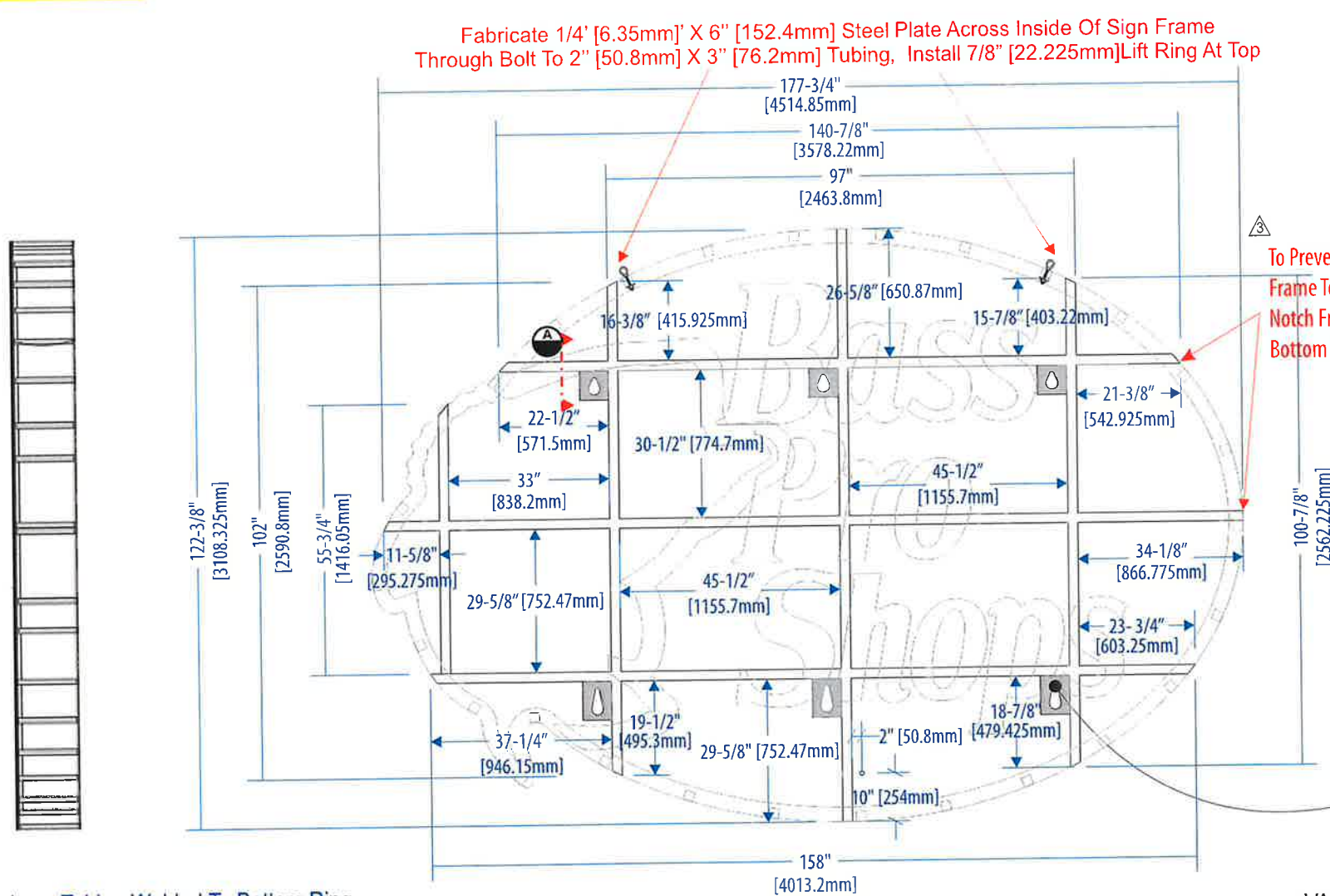
Job#: 34275
 Address: 7555 SW Nyberg St, Tualatin, OR 97062

DATE 6.2.24

REVISION 5

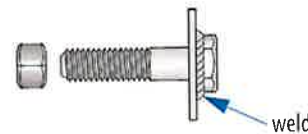


Fabricate 1/4" [6.35mm] X 6" [152.4mm] Steel Plate Across Inside Of Sign Frame Through Bolt To 2" [50.8mm] X 3" [76.2mm] Tubing. Install 7/8" [22.225mm] Lift Ring At Top



Ribs Of Various Aluminum Tubing Welded To Bottom Ring
 Alum Pipe Ø1-1/2 [38.1mm] Used Along Fins Of Fish
 Alum Tube SQ 2" [50.8mm] Support Ribs
 Keyhole Plates Welded To Frame & .080" [20.32mm] Back

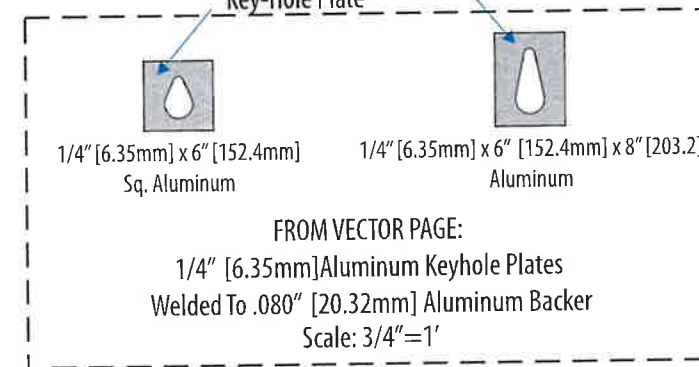
SIGN FRAME: facing inside can
 Rect. Alum. Tubing: 2" [50.8mm] x 3" [76.2mm] x 1/8" [3.175mm] x (72') [21945.6mm], w/Keyhole plates
RIVET FRAME TO .080" [20.32mm] BACKER



Mounting Pin Welded Assembly, Qty (6)
 Weld bolt to washer as shown
 Weld nut to wall frame
 GG&V #6000080: 5/8 [15.875mm] -11nc x 3" [76.2mm] Bolt SS
 GG&V #6000071: Flat Washer SS 3/4" [19.05mm] id x 2" od [50.8mm] x 1/8" [3.175mm]
 GGV #600070: 5/8" [15.875mm] Grade 8 Nut
NO SCALE

Qty (3) iAL-007-00-06 Key-Hole Plate

Qty (3) iAL-007-00-06 Key-Hole Plate



UPDATED: 3.28.23 (STEEL WILL HAVE SEPARATE FIN)

sign 2

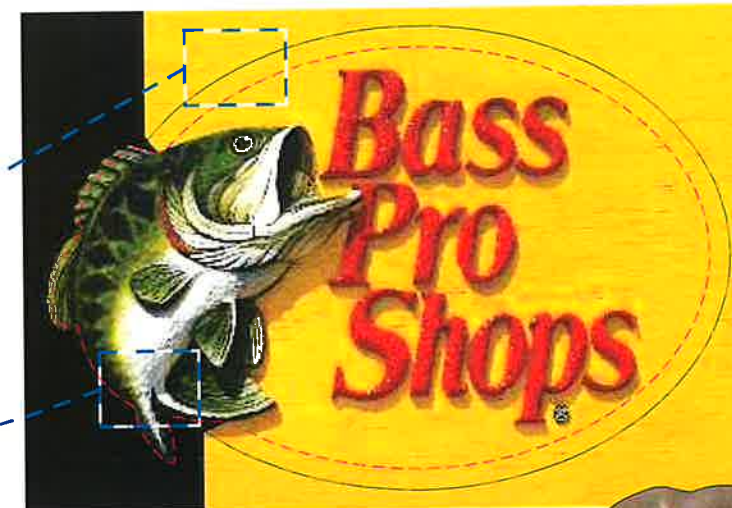


Service access centered at bottom for electric hook-up and maintenance at bottom/back of sign.



Tail section only, attached with polycarbonate (Lexan) wafers along fish tail section.

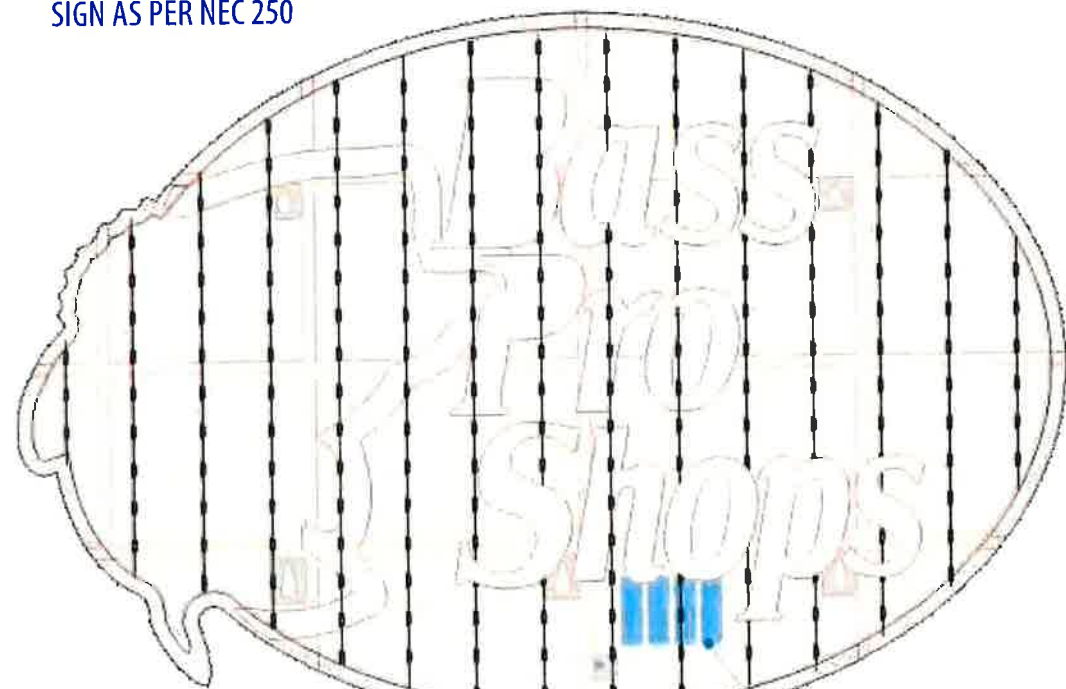
Flexface stretched and attached with pull clamp along 1/4" x 1-1/2" aluminum flat bar welded to center of the edge top trim piece.



FLEXFACE FOR REFERENCE ONLY NOT TO SCALE

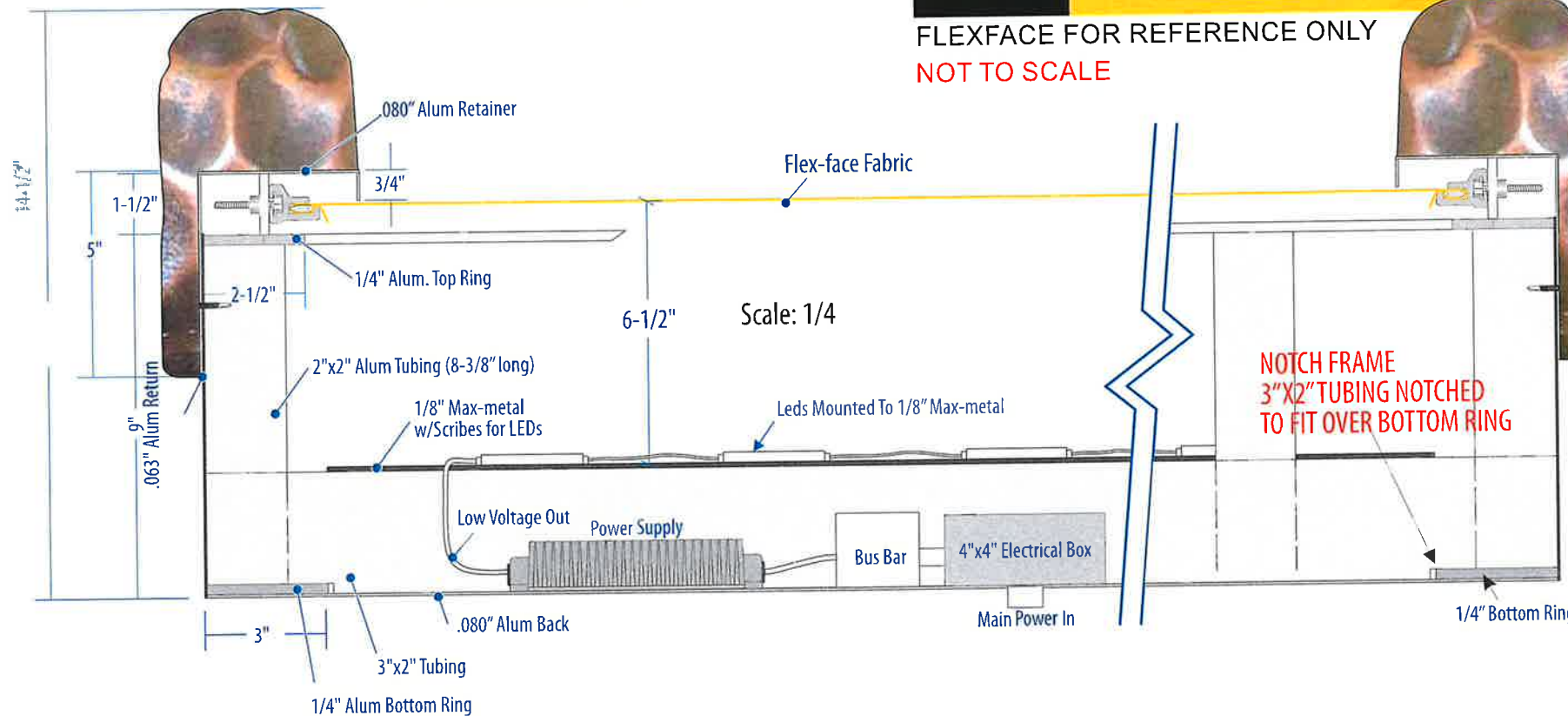
NOTE:
THIS SIGN TO BE CONSTRUCTED AND INSTALLED ACCORDING TO ARTICLE CODE 250 & 600 OF NEC. GROUNDING AND BONDING OF SIGN AS PER NEC 250

NOTE:
U.L. LABEL TO BE ATTACHED TO TOP OF SIGN & HEAT DISTRIBUTION CAPS THROUGHOUT SIGN.



4x4 junction box/primary

power supplies



NOTCH FRAME 3"x2" TUBING NOTCHED TO FIT OVER BOTTOM RING



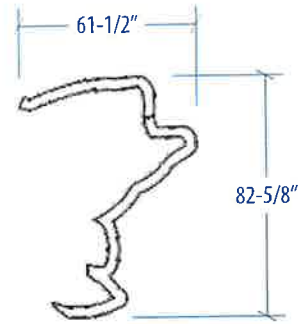
ELECTRICAL INFORMATION

This Sign To Be Constructed And Installed According To Article Code 250 & 600 Of Nec. Grounding And Bonding Of Sign As Per Nec 250

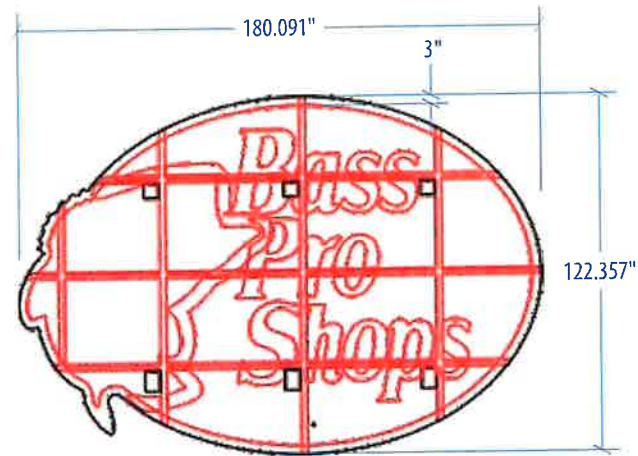
Power Supply Info.
#4002167 Qty (4) Hanley power supply power req. total
Variable Input: 100VAC~277VAC / .65A/115V / .35A/230V
Output: 12V, 5A, 60W

LED Info.
#4001545 Qty (225) Hanley LED PF-2080 pure white
.8 watts / module (180 total)

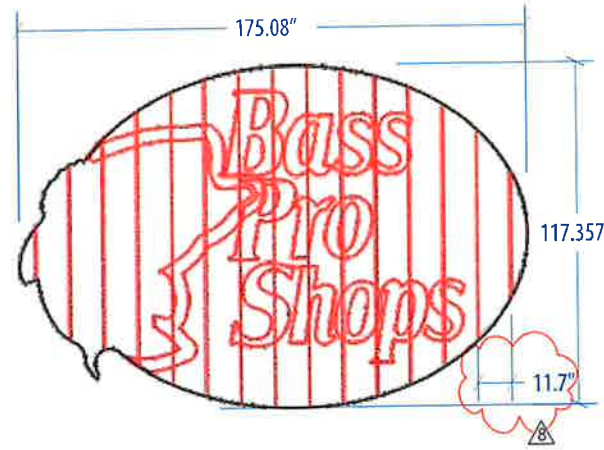
Engineer: X
License No: X
Building Code: X
Basic Wind Speed: X
Risk Category: X



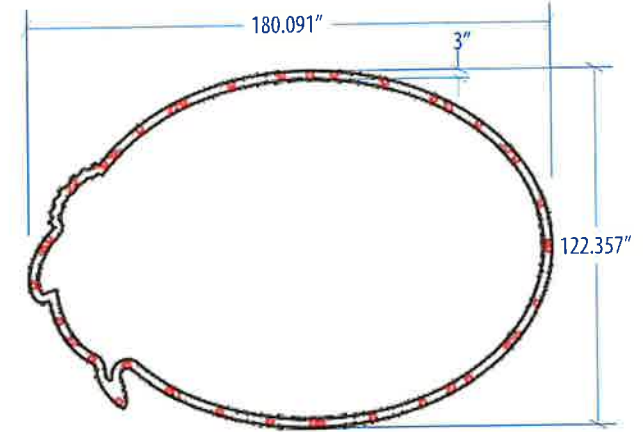
PLATFORM
1/2" polycarbonate (Lexan)



.080" aluminum **BACKER** w/scribes

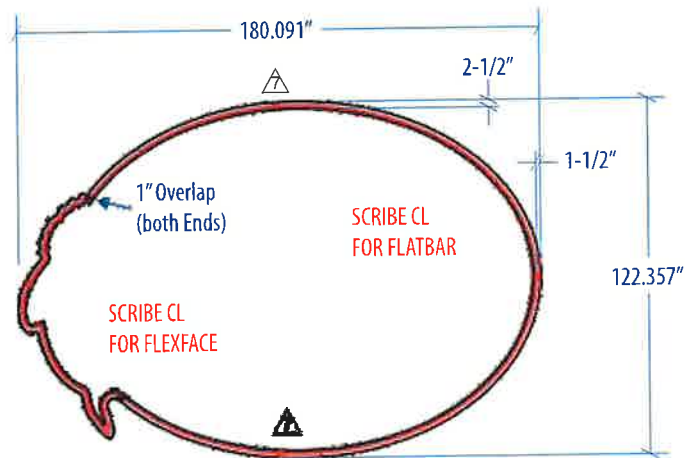


1/8" Max Metal **SUB-FLOOR** w/scribes:
inlined 2-1/2" from backer

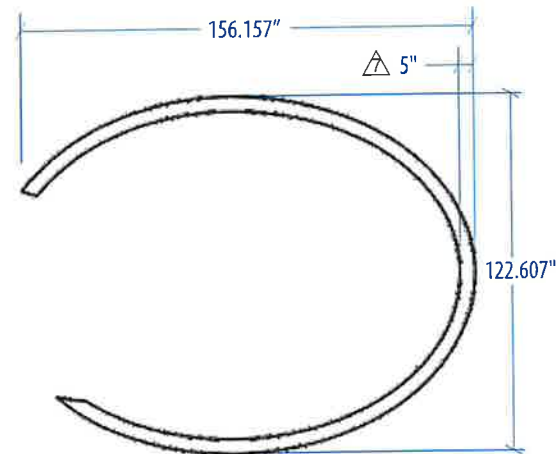


1/4" aluminum **BOTTOM RING** w/scribes:
welded to backer and frame

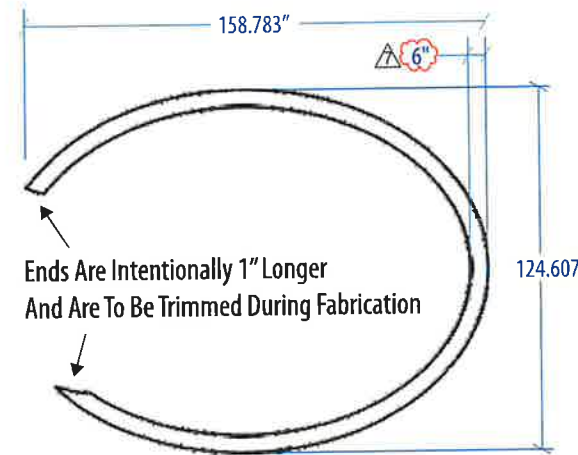
SCALE: 3/16"=1'



TOP RING: 1/4" aluminum, welded to frame
w/scribe: stretcher flatbar, CL
CNC routed to shape of sign

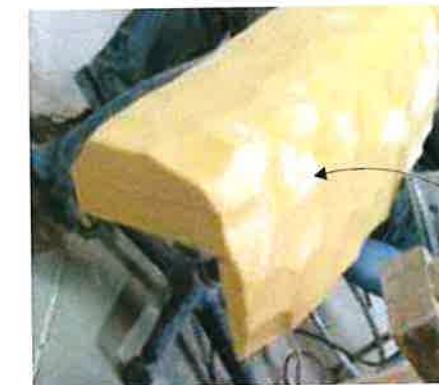


Retainer Face:
.080" Aluminum
(Drawing Is Offset .125 To Outside From Back)



Foam Border: Qty (2) 2" 2# EPS White Foam
Chip Carved And Adhered To Retainer Face
(1" Foam Wrapped Around Perimeter)

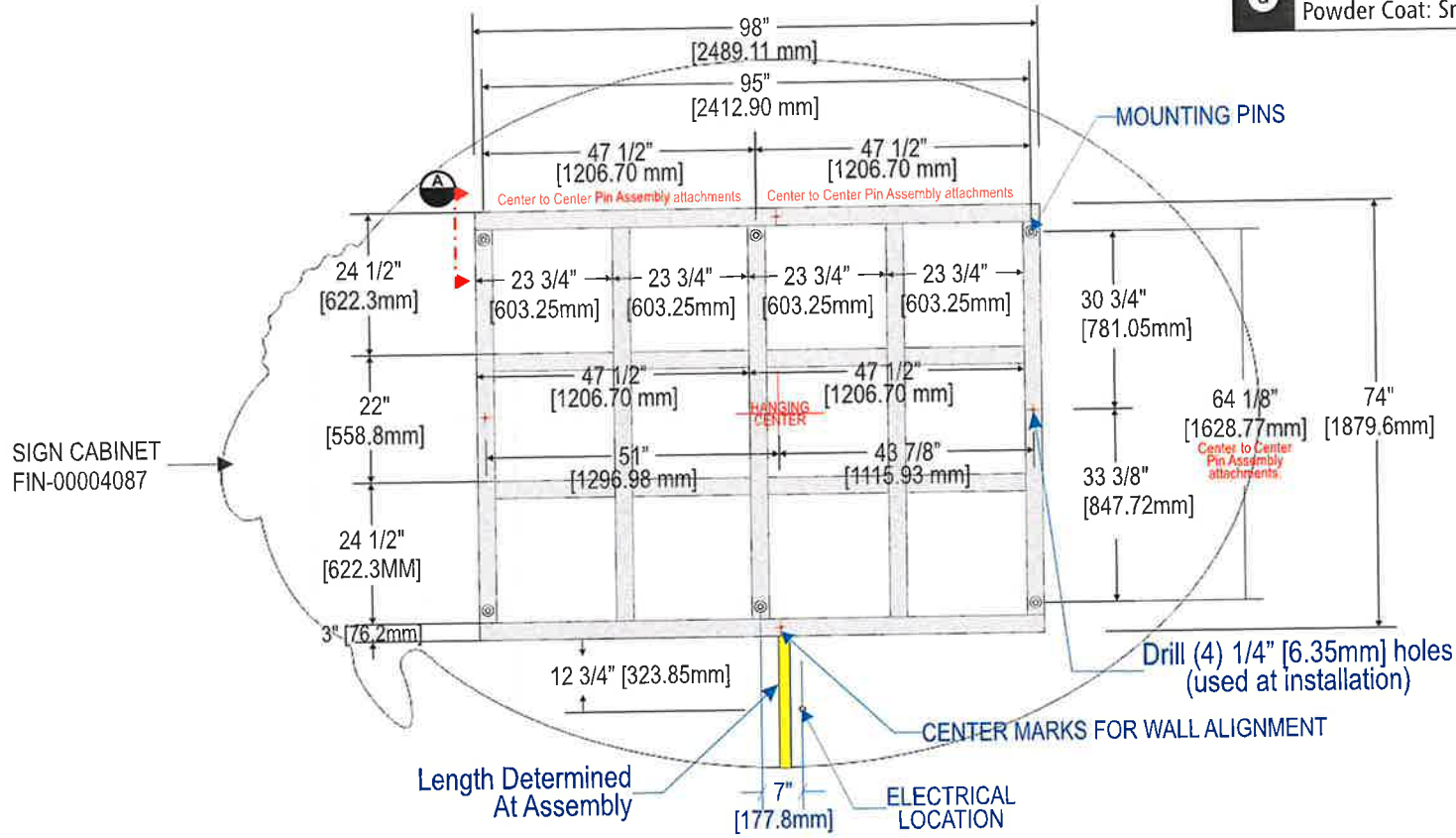
Vectors From 3-23-16.DXF



Note: 1" x 5" foam border around outside of retainer.

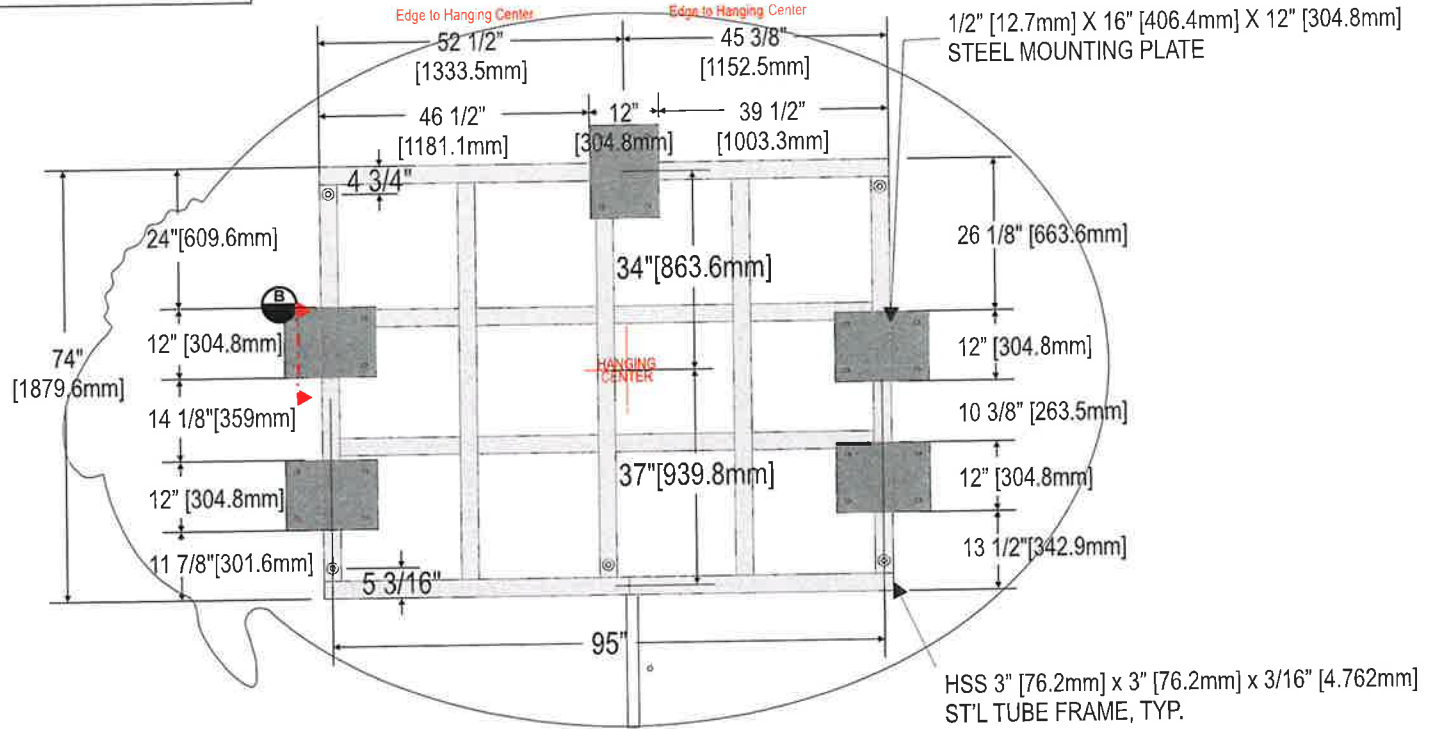
 <p>3" DISCS: 1/8" Clear Lexan Qty (55); Scale: 1:4</p>	 <p>Scale: 3/4"=1'</p>	 <p>Qty (3) iAL-007-00-06 1/4" x 6" Sq. Aluminum</p>	<p>Qty (3) iAL-007-00-06 1/4" x 6" x 8" Aluminum</p>
---	---	---	--

COLOR CALLOUTS
 a Wall Frame: Steel Tube
 Powder Coat: Smooth Satin Black (40%) Gloss



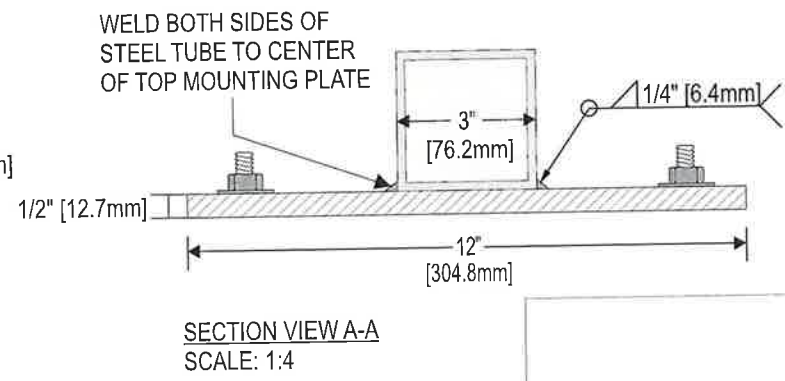
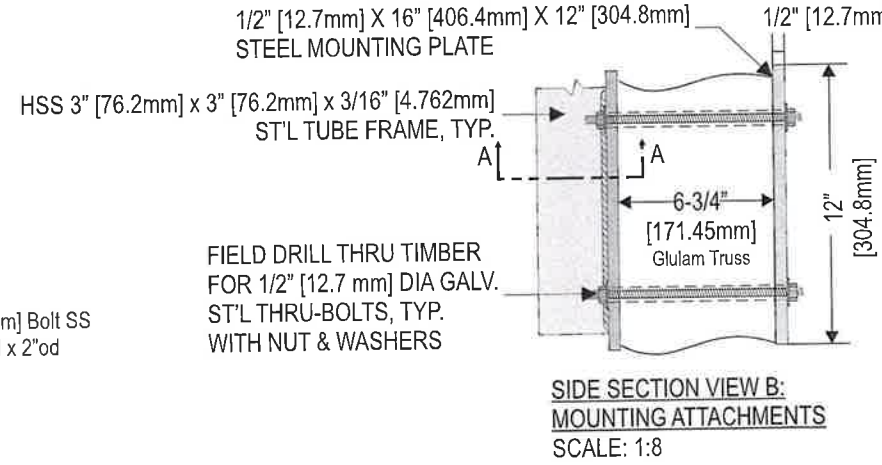
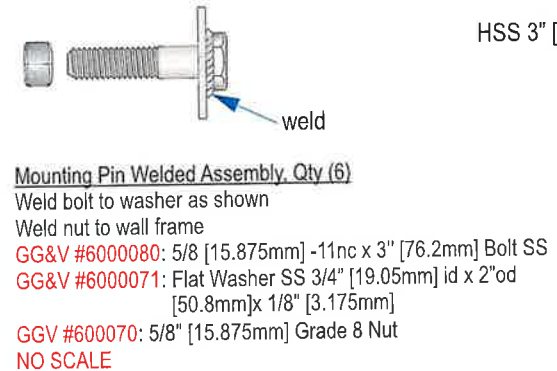
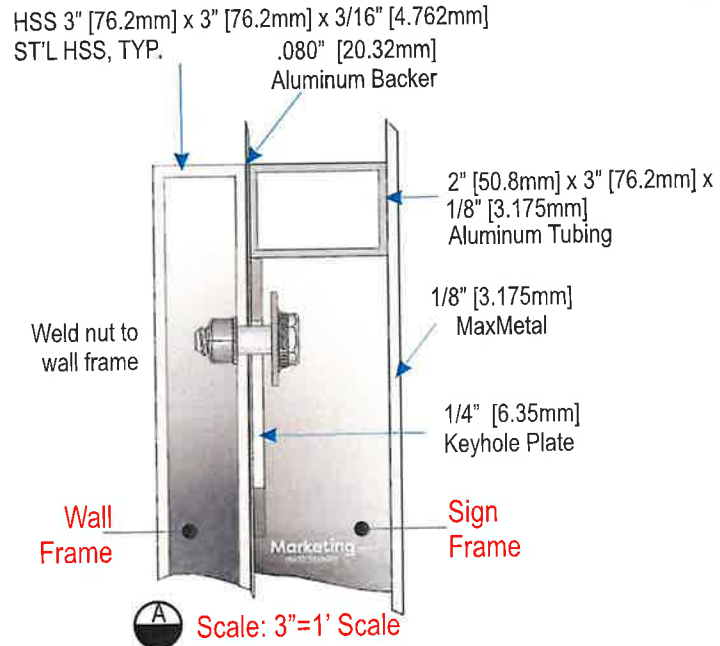
FRONT VIEW:

WALL FRAME: Farside mounts against building
 Steel Tube: 3" [76.2mm] x 3" [76.2mm] x 3/16" [4.762mm]
 SCALE: 3/8"=1' [9.52mm X 304.8mm]



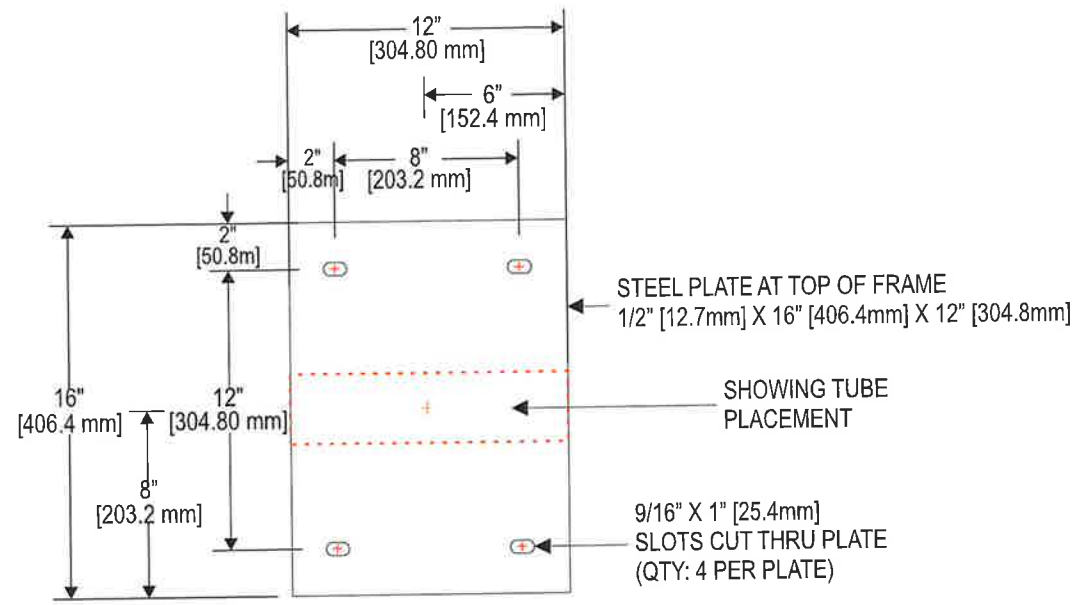
FRONT VIEW: MEASUREMENTS FOR STEEL MOUNTING PLATES AS MOUNTED AGAINST WALL

STEEL PLATE: 1/2" [12.7mm] X 16" [406.4mm] X 12" [304.8mm]
 SCALE: 3/8"=1' [9.52mm X 304.8mm]

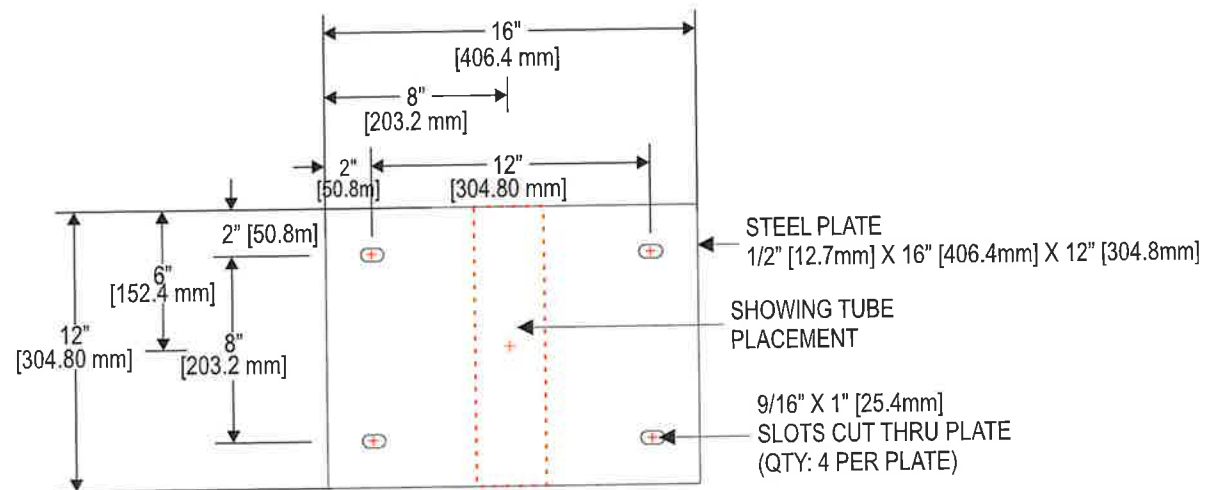


Scale:	Mounting:	Weight:	Area:	Sides:	Int / Ext:
Noted	TRUSS	TBD lbs	TBD ft ²	1	EXT

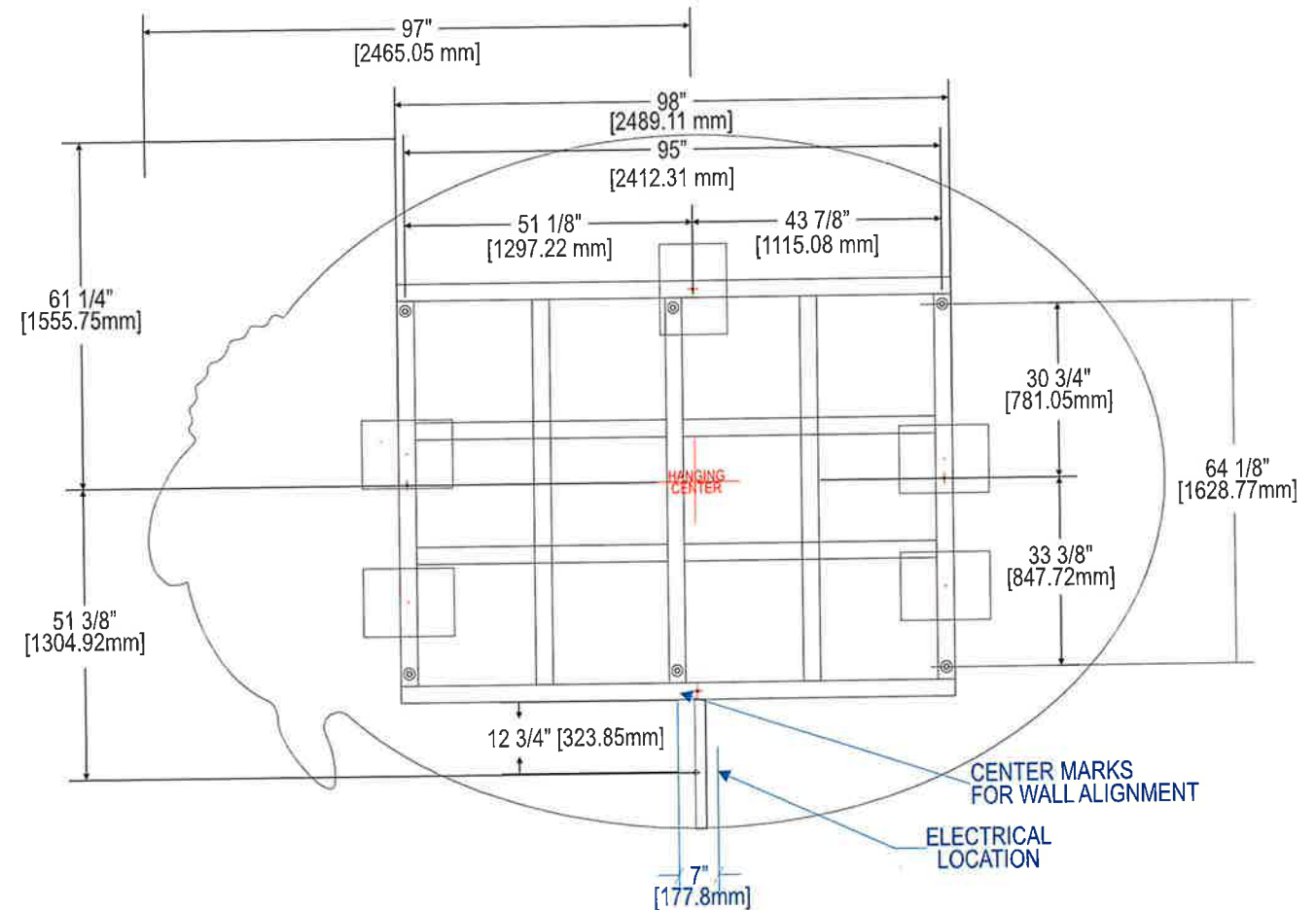
Engineer: X
 License No.: X
 Building Code: X
 Basic Wind Speed: X
 Risk Category: X



FRONT VIEW:
TOP STEEL MOUNTING PLATE
SCALE: 1:8
QTY: 1



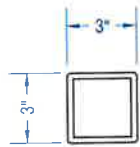
FRONT VIEW:
STEEL MOUNTING PLATE
SCALE: 1:8
QTY: 4



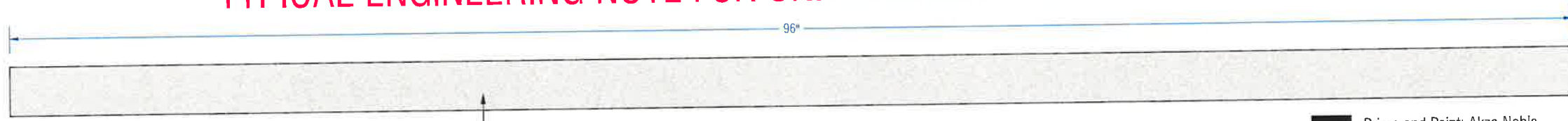
FRONT VIEW
INSTALL PATTERN FOR WALL FRAME
AS MOUNTED AGAINST WALL
SCALE: 3/8"=1' [9.52mm X 304.8mm]

Scale:	Mounting:	Weight:	Area:	Sides:	Int / Ext:
Noted	TRUSS	TBD lbs	TBD ft ²	1	EXT

TYPICAL ENGINEERING NOTE FOR UNIVERSAL ATTACHMENT



22 End View
13 Scale: 1-1/2"=1'-0"



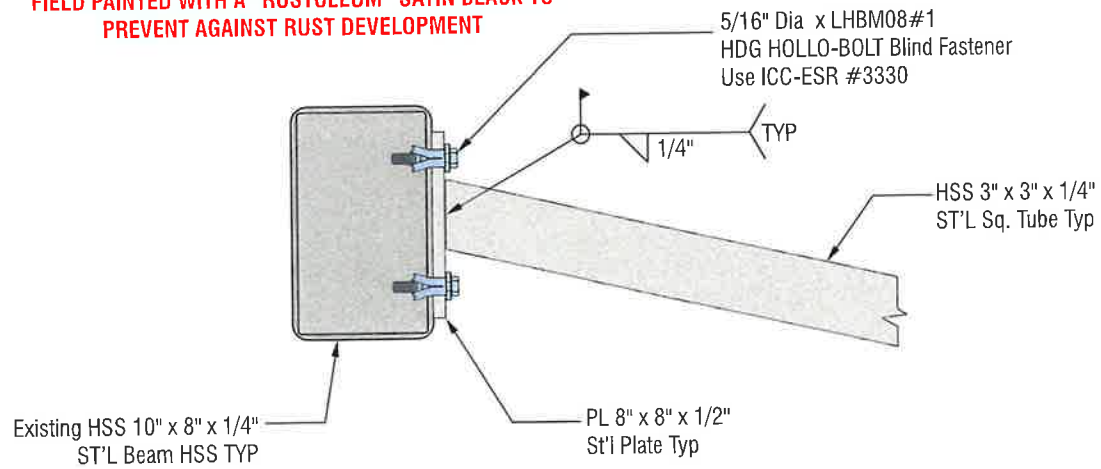
21 Steel HSS Sq. Tube QTY: (2) Required
13 Scale: 1-1/2"=1'-0"

HSS Sq. Tube to be Provided - Installer to Field Verify Length to be Required and Fabricate Support (As Shown)

Prime and Paint: Akzo Noble Satin Black

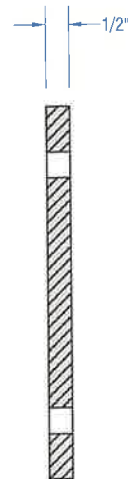
NOTE: SUPPLY HSS TUBE IN 8'-0" LENGTHS - FIELD CUT PER SITE CONDITIONS
FIELD WELD PLATES AS REQUIRED

NOTE: ALL EXPOSED AREAS OF STEEL & WELDS MUST BE FIELD PAINTED WITH A "RUSTOLEUM" SATIN BLACK TO PREVENT AGAINST RUST DEVELOPMENT

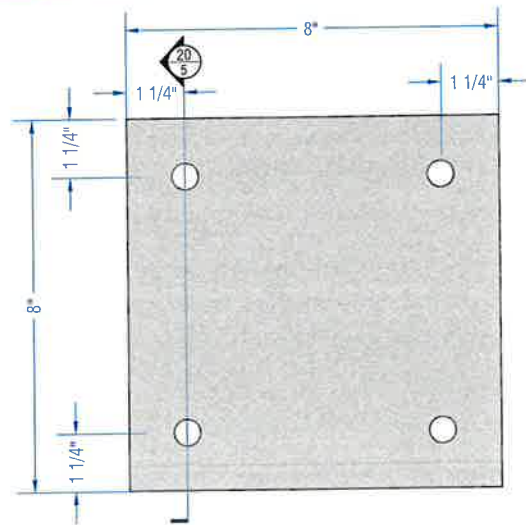


18 Detail View - Structural Support Addition
13 Scale: 1-1/2"=1'-0"

Prime and Paint: Akzo Noble Satin Black



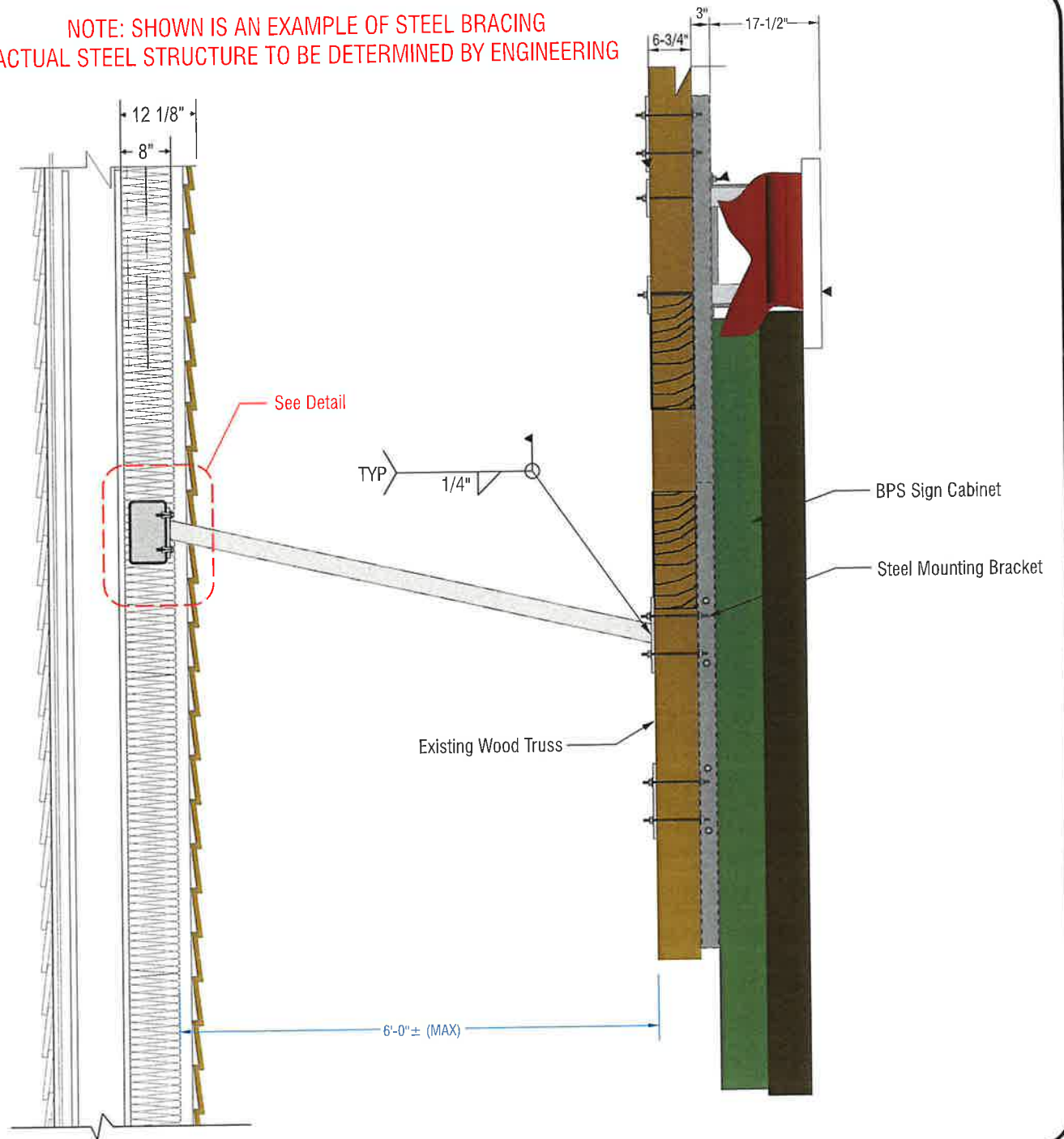
20 Steel Plate Section
13 Scale: 3"=1'-0"



19 Steel Plate Layout QTY: (4) Required
13 Scale: 3"=1'-0"

Prime and Paint: Akzo Noble Satin Black

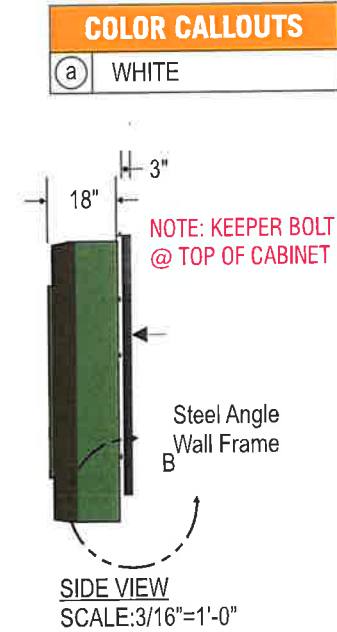
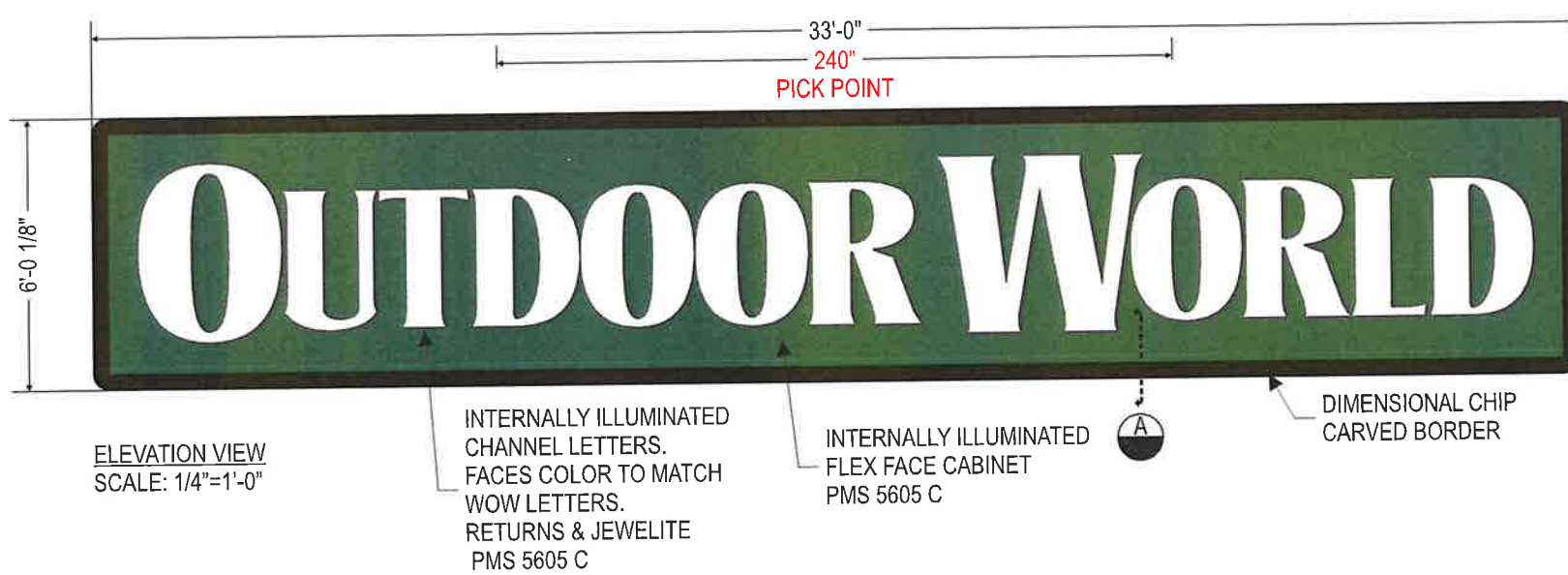
NOTE: SHOWN IS AN EXAMPLE OF STEEL BRACING
ACTUAL STEEL STRUCTURE TO BE DETERMINED BY ENGINEERING



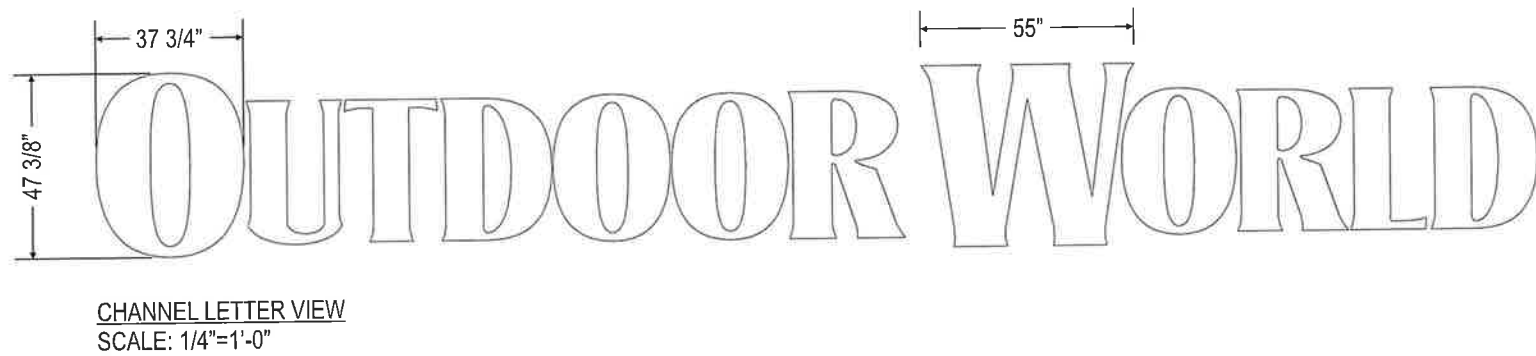
17 Section View - Structural Support Addition
13 Scale: 1/2"=1'-0"

sign 3

"Outdoor World" @ Front Elevation of Building
 CIMA - Permit, Manufacture & Install
 (1) Set Req'd.



PARTS LIST			
Item	Qty / Sign	Part #	Description
①	TBD	MESP-00002209	.063 ALUMINUM SHEET
②	TBD	MESP-00002219	.080 ALUMINUM SHEET
③	TBD	MESP-00002218	1/8" ALUMINUM SHEET
④	TBD	MESP-00002216	1/4" ALUMINUM SHEET
⑤	TBD	MESP-00002263	1/8" MAX METAL SHEET
⑥	TBD	PLS-00007232	.150 CLEAR ACRYLIC
⑦	TBD	MELF-00006895	5.3 LETTER COIL
⑧	TBD	MELF-0000	2" X 2" X 1/8" ALUMINUM RECTANGLE TUBE
⑨	TBD	MELF-0000	3" X 3" X 3/16" STEEL TUBE
⑩	TBD	MELF-00002157	1/4" X 1-1/2" ALUMINUM FLAT BAR
⑪	106	EL-00000382	FLEXFACE WEDGE CLAMP
⑫	26	EL-00000465	HANLEY POWER SUPPLY
⑬	TBD	EL-00000441	HANLEY LED
⑭	9	FIN-00003885	6" X 6" X 1/4" ALUMINUM KEY HOLE
⑮	9	FIN-00003887	6" X 8" X 1/4" ALUMINUM KEY HOLE
⑯	2	HW-00001636	1/2"-13 FORGED EYE NUT
⑰	18	HW-00000826	SS BOLT 18-8 5/8" WASHER
⑱	18	HW-00000827	SS BOLT 18-8 5/8"-11 X 3"
⑲	18	HW-00001620	STAINLESS; HEX NUT - 5/8-11 GR 8 18-8
⑳	TBD	FP-00000556	2# WHITE FOAM
㉑	TBD	TBD	3/8" EZ TOGGLE & BOLT



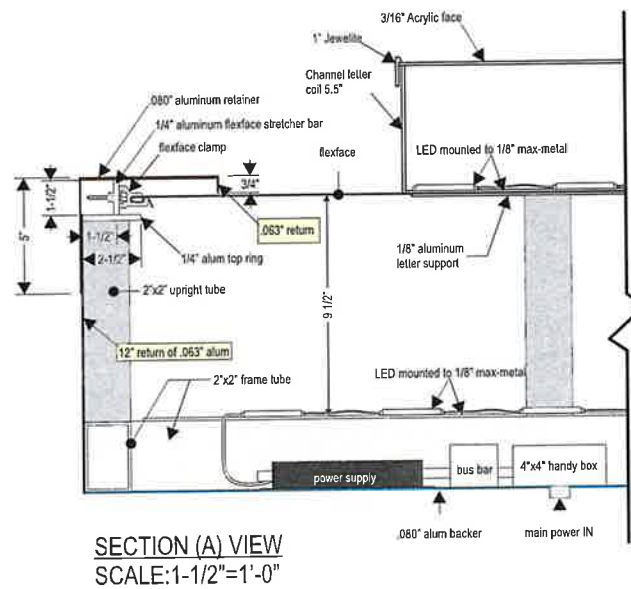
CHANNEL LETTER SIDE VIEW
 SCALE: 1/4"=1'-0"

ELECTRICAL INFORMATION

This Sign To Be Constructed And Installed According To Article Code 250 & 600 Of Nec. Grounding And Bonding Of Sign As Per Nec 250

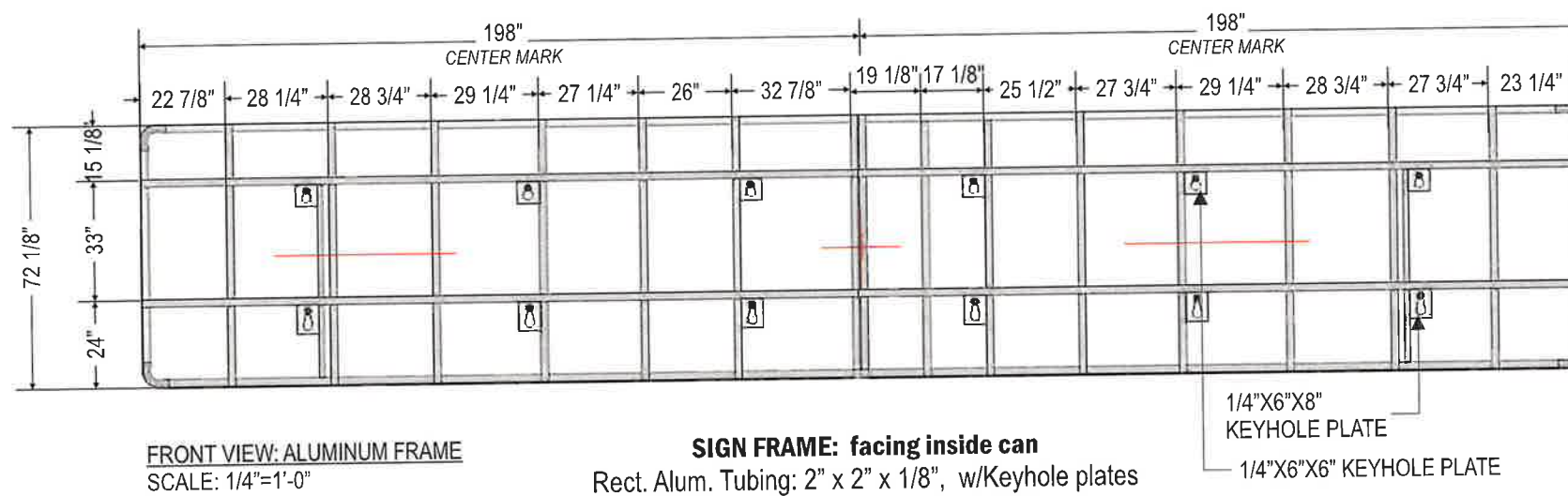
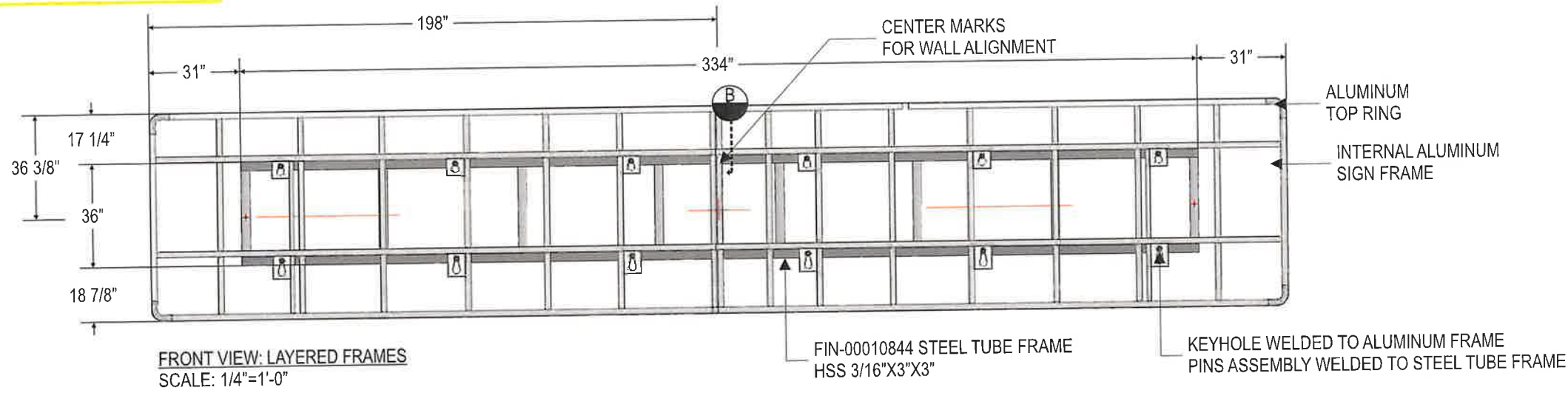
Power Supply Info.
 (17 qty) Hanley power supply (4002167) power req. total
 Variable Input: 100VAC~277VAC / .65A/115V / .35A/230V
 Output: 12V, 5A, 60W - Draw for sign is 11 Amps.

LED Info.
 (1207 qty) Hanley LED PF-2080 (pure white)
 .8 watts / module

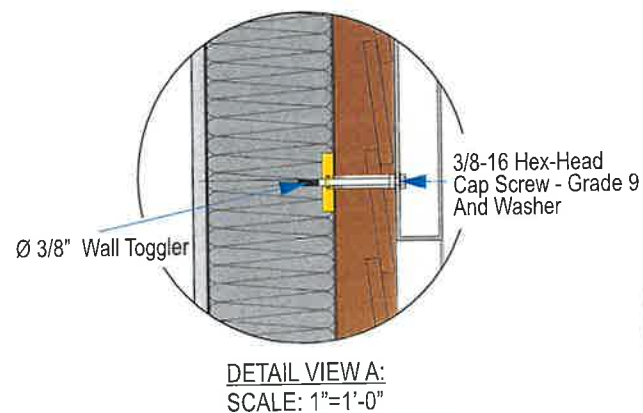
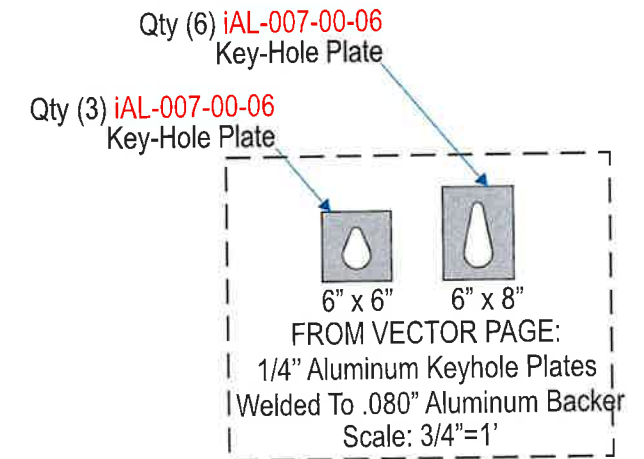
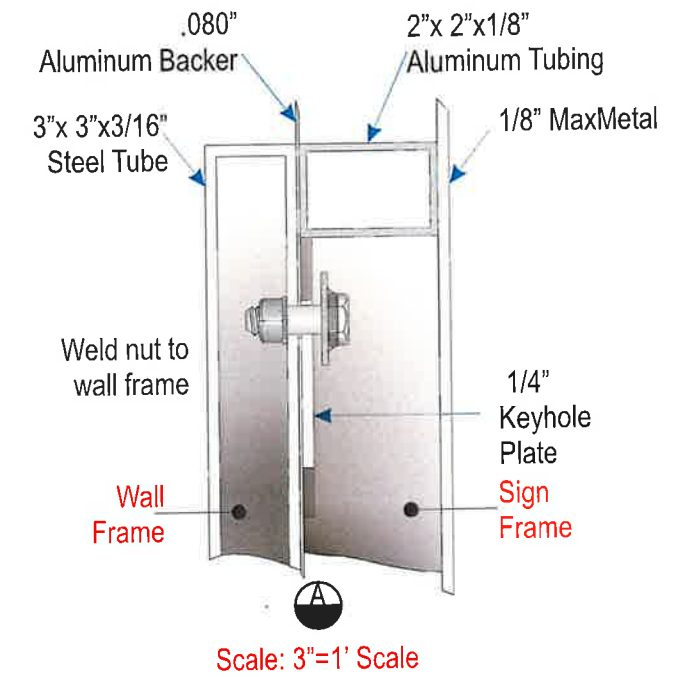


SECTION (A) VIEW
 SCALE: 1-1/2"=1'-0"

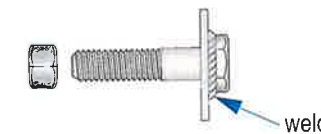
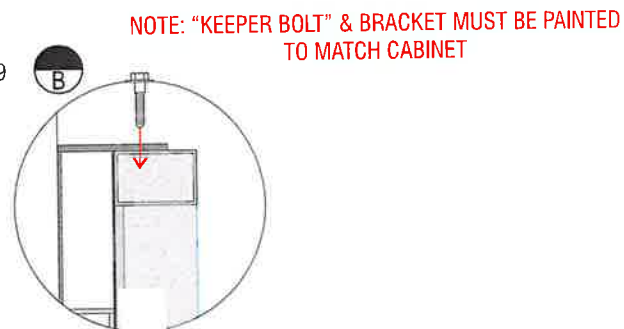
Engir
 License No: X
 Building Code: X
 Basic Wind Speed: X
 Risk Category: X



SIGN FRAME: facing inside can
 Rect. Alum. Tubing: 2" x 2" x 1/8", w/Keyhole plates
RIVET FRAME TO .080" BACKER



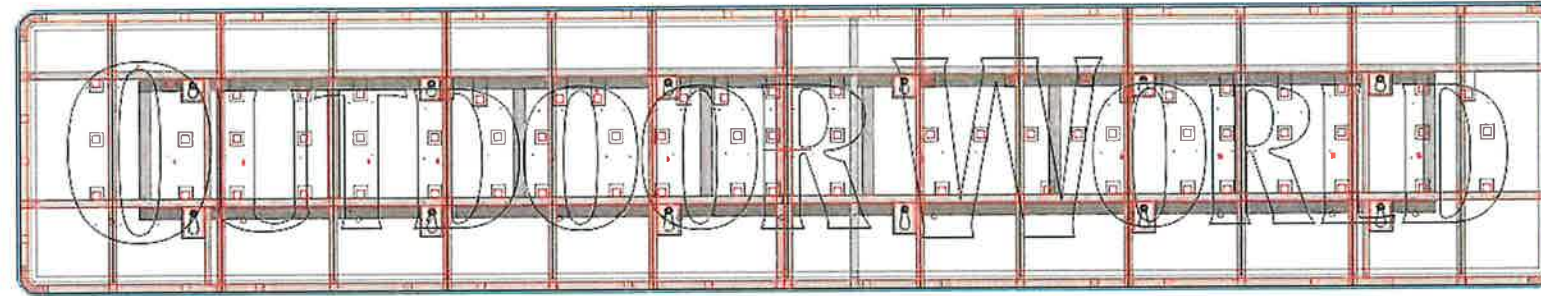
ATTACHMENTS PLACED EVERY 18" ON HORIZONTAL CROSS MEMBERS



Mounting Pin Welded Assembly, Qty (12)
 Weld bolt to washer as shown
 Weld nut to wall frame
 GG&V #6000080: 5/8-11nc x 3" Bolt SS
 GG&V #6000071: Flat Washer SS 3/4" id x 2"od x 1/8"
 GGV #600070: 5/8" Grade 8 Nut
NO SCALE

STEEL FRAME: FIN-00010844
 Q:\1ABPS Signs By Item #\E\I\X-032
 OUTDOOR WORLD ON CAB
 W FLEX FACE\FIN-00010713 ODW CABINET
 - 6FT X 33FT\FIN-00010844 STEEL TUBE FRAME

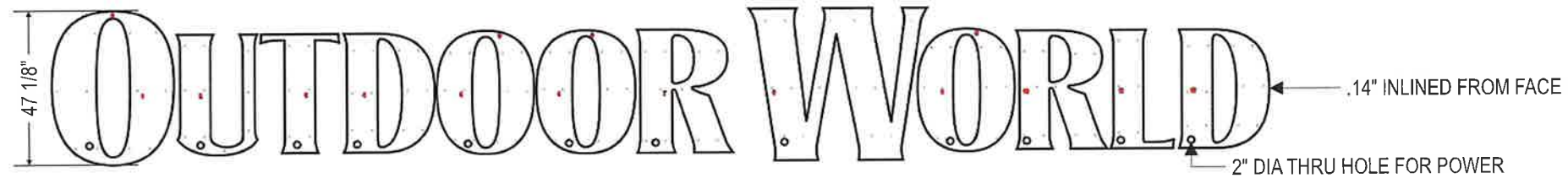
Engineer: X
 License No: X
 Building Code: X
 Basic Wind Speed: X
 Risk Category: X



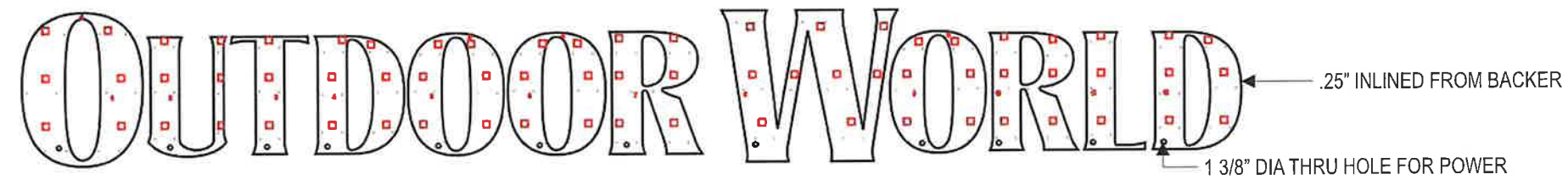
LAYERED VECTORS
SCALE: 1/4"=1'-0"



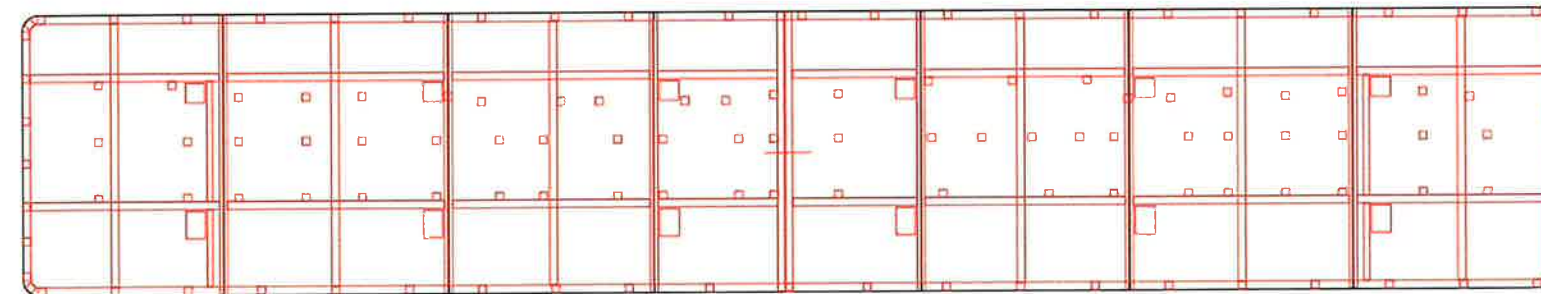
CHANNEL LETTER FACE: ACRYLIC
SCALE: 1/4"=1'-0"



CHANNEL LETTER BACKS
SCALE: 1/4"=1'-0"



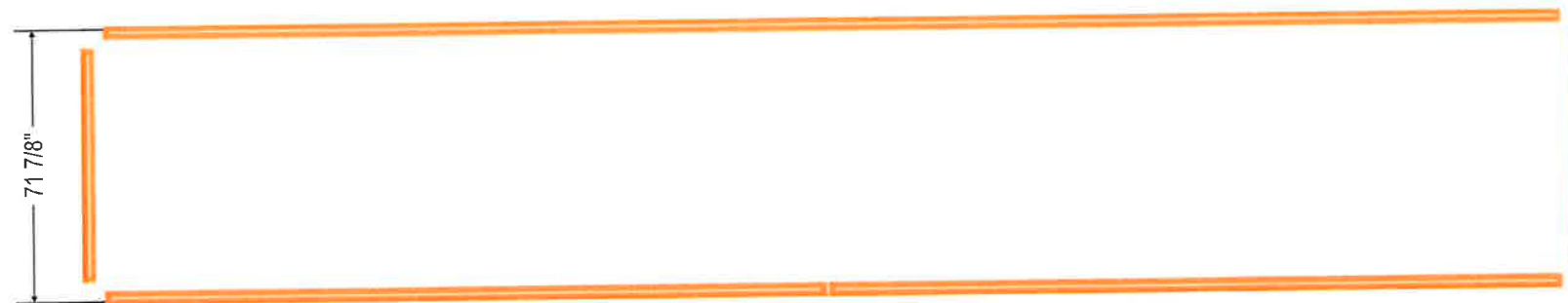
1/8" ALUMINUM LETTER SUPPORTS
SCALE: 1/4"=1'-0"



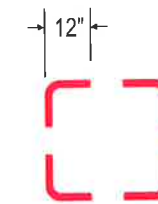
.080 ALUMINUM BACKER
SCALE: 1/4"=1'-0"



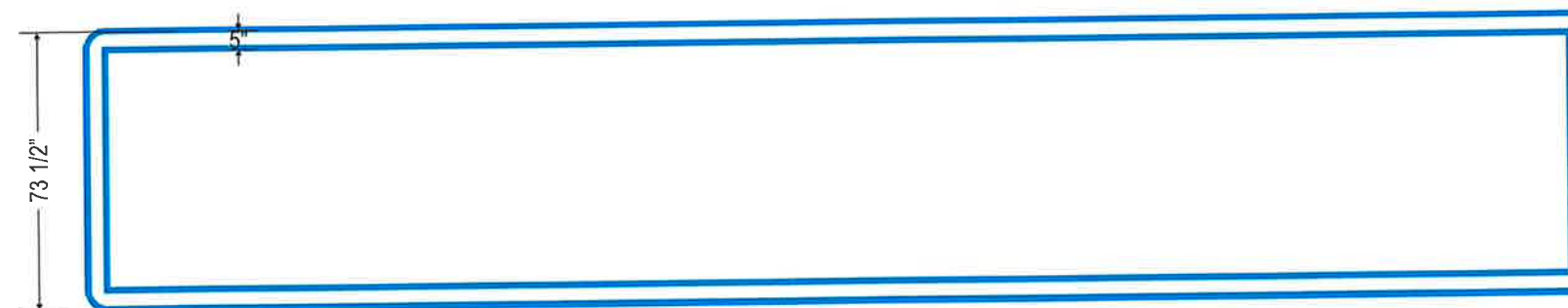
Engineer: X
License No: X
Building Code: X
Basic Wind Speed: X
Risk Category: X



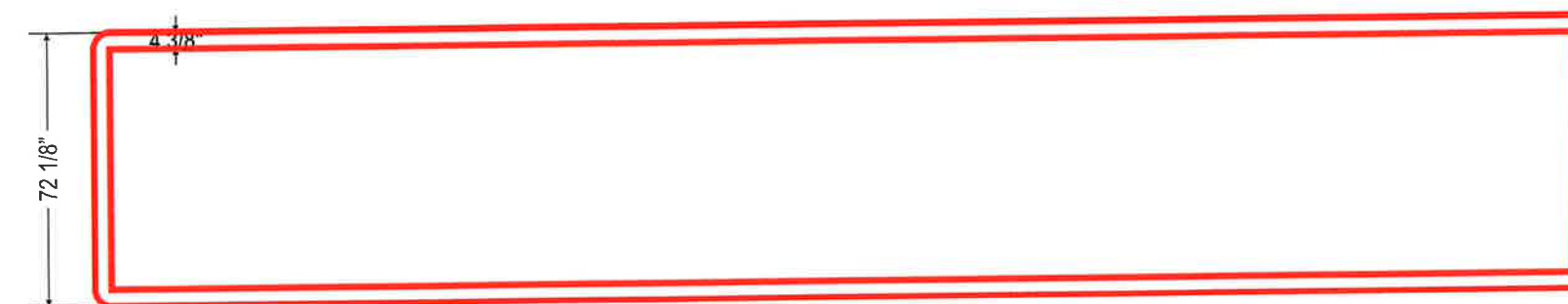
ALUMINUM TOP RING
2" X 2" X 1/8" TUBE
SCALE: 1/4"=1'-0"



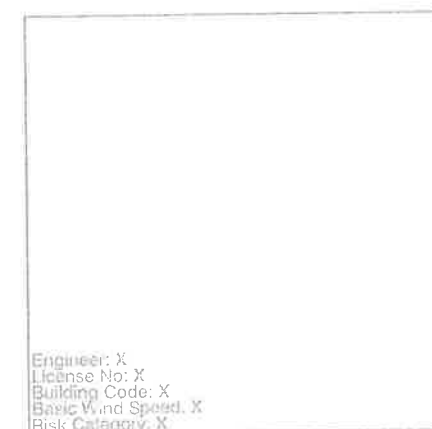
1/4" ALUMINUM FRAME MEMBER
SCALE: 1/4"=1'-0"



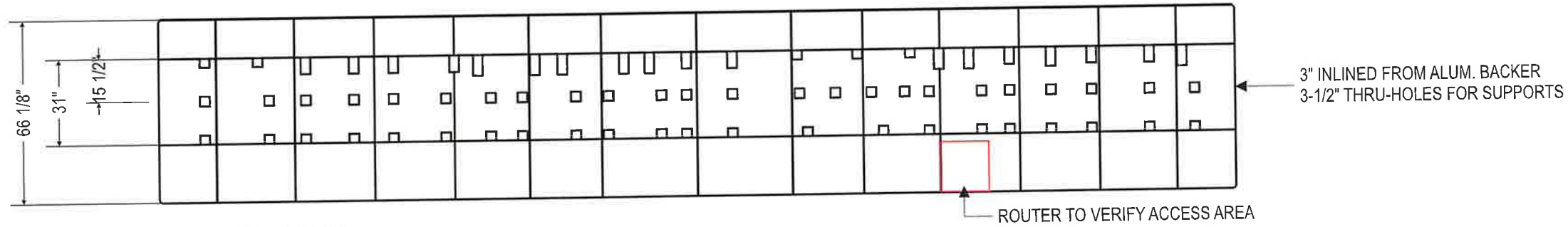
2# WHITE FOAM BORDER
SCALE: 1/4"=1'-0"



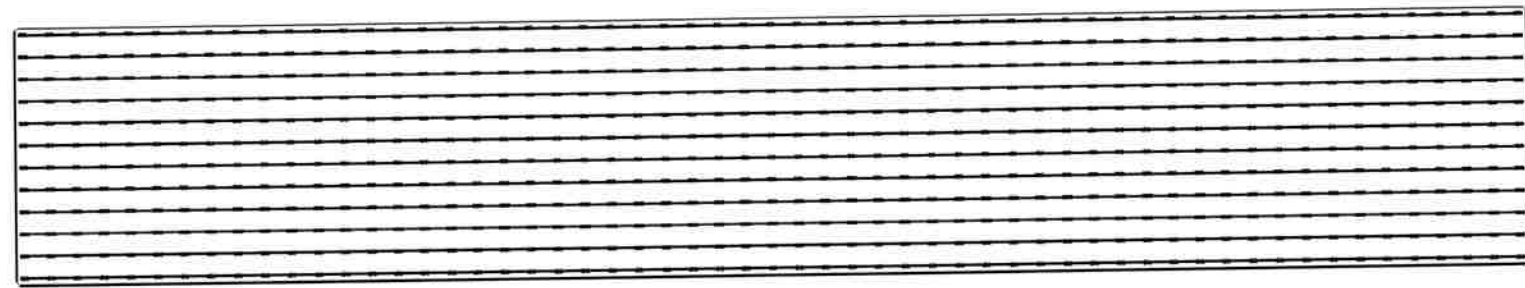
1/8" ALUMINUM RETAINER
SCALE: 1/4"=1'-0"



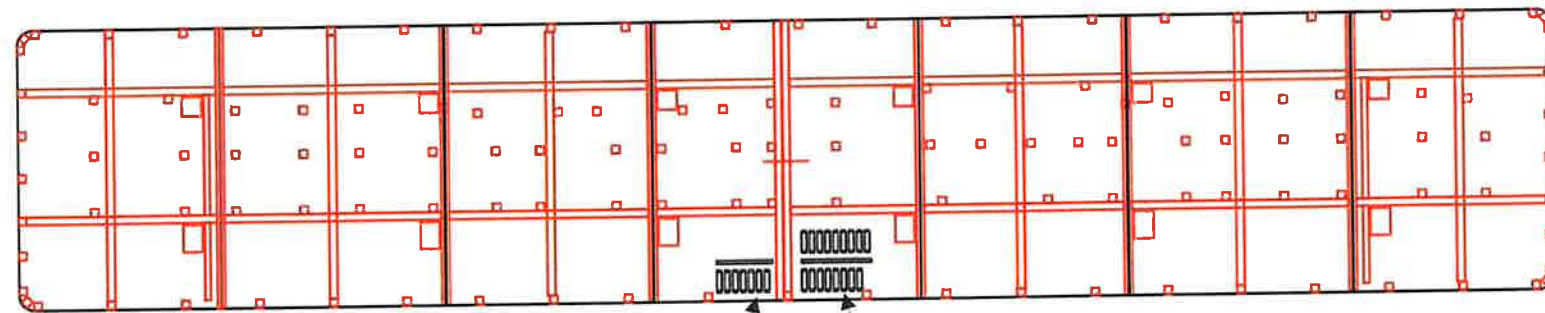
Engineer: X
License No: X
Building Code: X
Basic Wind Speed: X
Risk Category: X



1/8" MAX METAL BACKER
SCALE: 1/4"=1'-0"



LED LAYOUT
SCALE: 1/4"=1'-0"



POWER SUPPLY LAYOUT
SCALE: 1/4"=1'-0"

CHANNEL LETTER
POWER SUPPLY BANK

FLEX FACE
POWER SUPPLY BANK

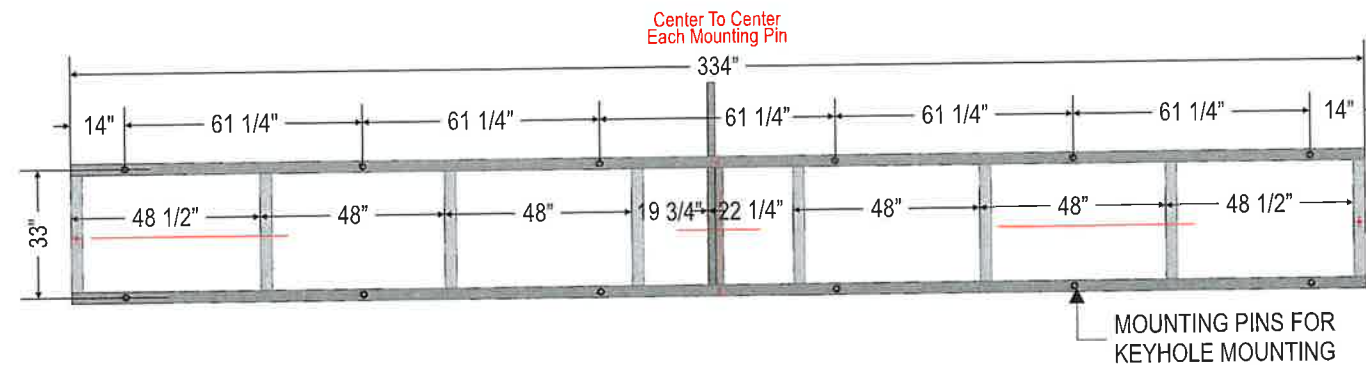
ELECTRICAL INFORMATION

This Sign To Be Constructed And Installed According To Article Code 250 & 600 Of Nec. Grounding And Bonding Of Sign As Per Nec 250

Power Supply Info.
(17 qty) Hanley power supply (4002167) power req. total
Variable Input: 100VAC-277VAC / .65A/115V / .35A/230V
Output: 12V, 5A, 60W - Draw for sign is 11 Amps.

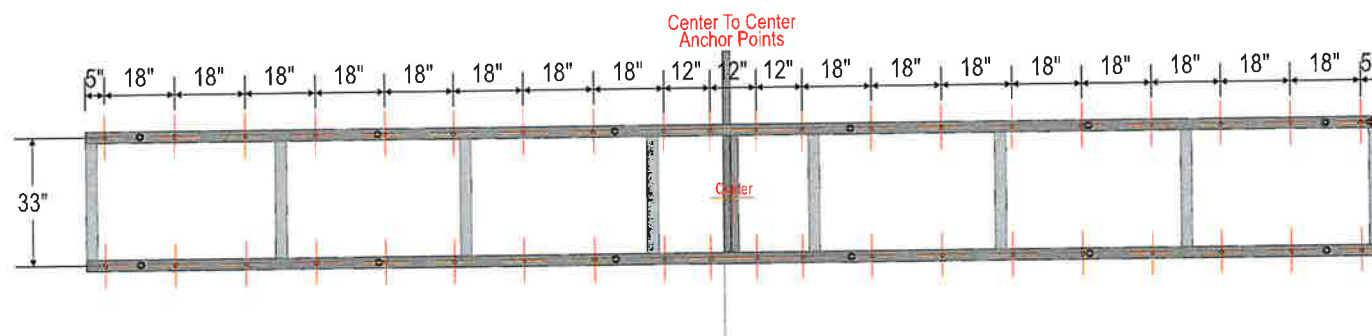
LED Info.
(1207 qty) Hanley LED PF-2080 (pure white)
.8 watts / module

Engineer: X
License No: X
Building Code: X
Basic Wind Speed: X
Risk Category: X



FRONT VIEW: STEEL FRAME
SCALE: 1/4"=1'-0"

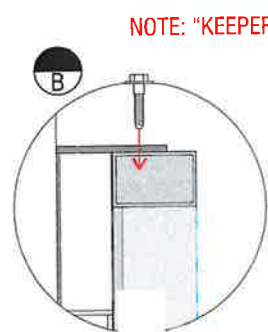
WALL FRAME PIN ASSEMBLY:
Farside mounts against building
Steel Tube: 3" x 3" x 3/16"



FRONT VIEW: STEEL FRAME
SCALE: 1/4"=1'-0"

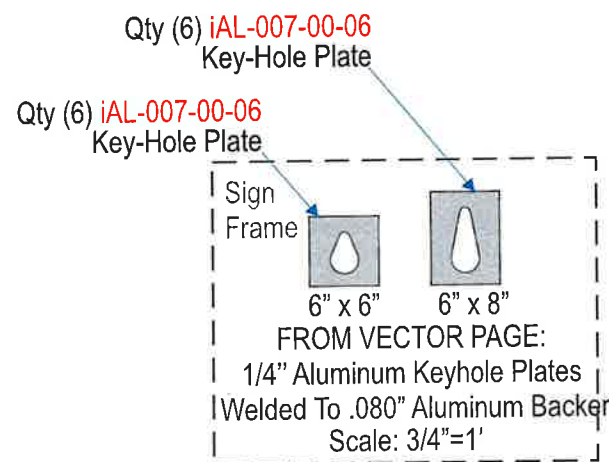
ANCHOR LOCATIONS:
Farside mounts against building
Steel Tube: 3" x 3" x 3/16"

3/8" ATTACHMENTS EVERY 18"
ON HORIZONTAL CROSS MEMBERS
(QTY: 20 TOP AND 20 BOTTOM MIN.)

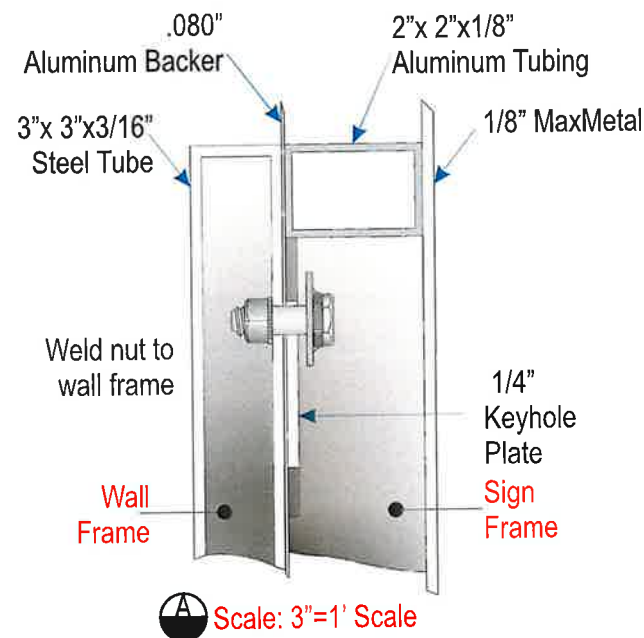


SECTION VIEW B:
SECURE WALL FRAME TO SIGN
@ TOP USING "KEEPER BOLT"

NOTE: "KEEPER BOLT" & BRACKET MUST BE PAINTED
TO MATCH CABINET

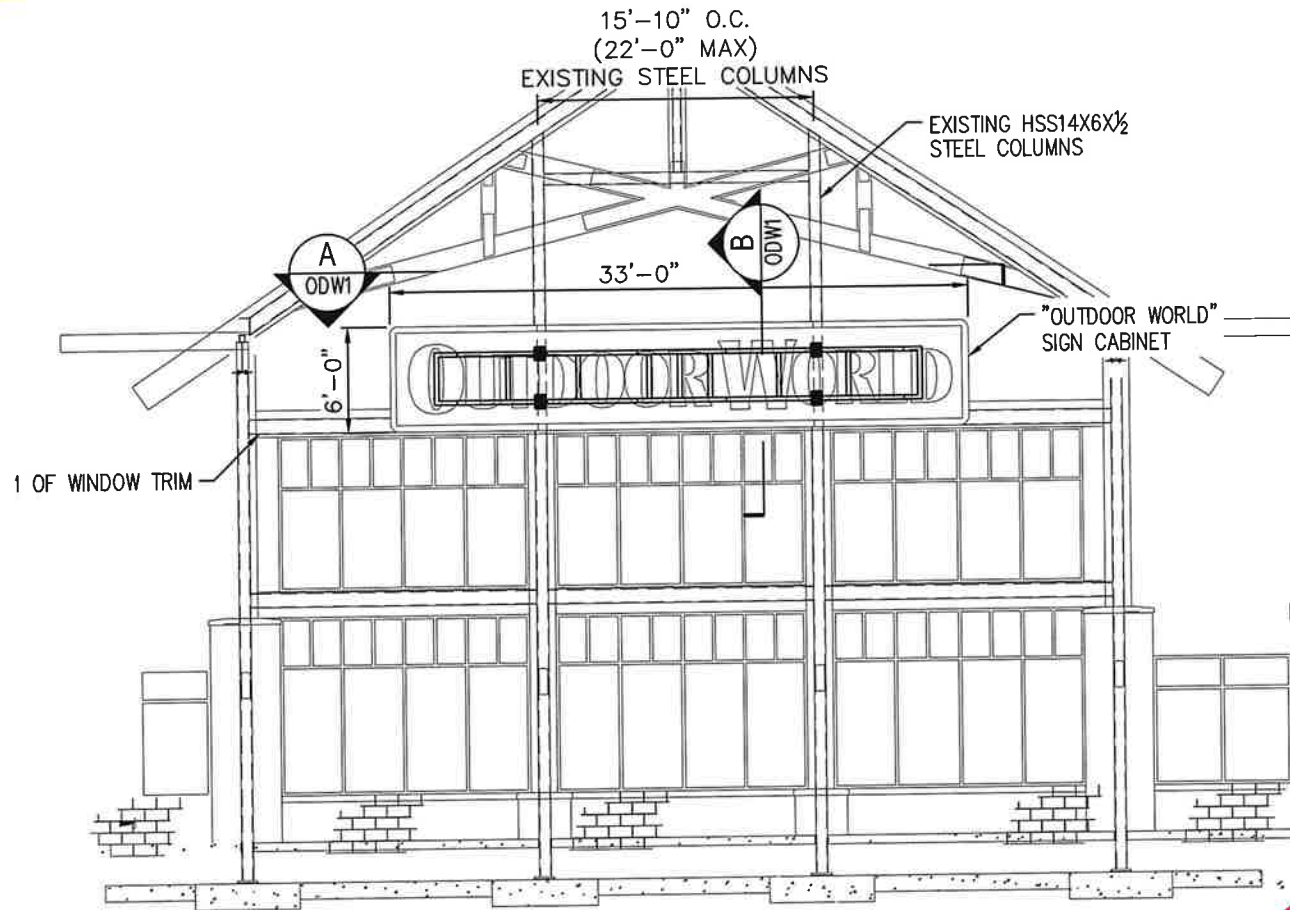


Mounting Pin Welded Assembly, Qty (12)
Weld bolt to washer as shown
Weld nut to wall frame
GG&V #6000080: 5/8-11nc x 3" Bolt SS
GG&V #6000071: Flat Washer SS 3/4" id x 2"od x 1/8"
GGV #600070: 5/8" Grade 8 Nut
NO SCALE



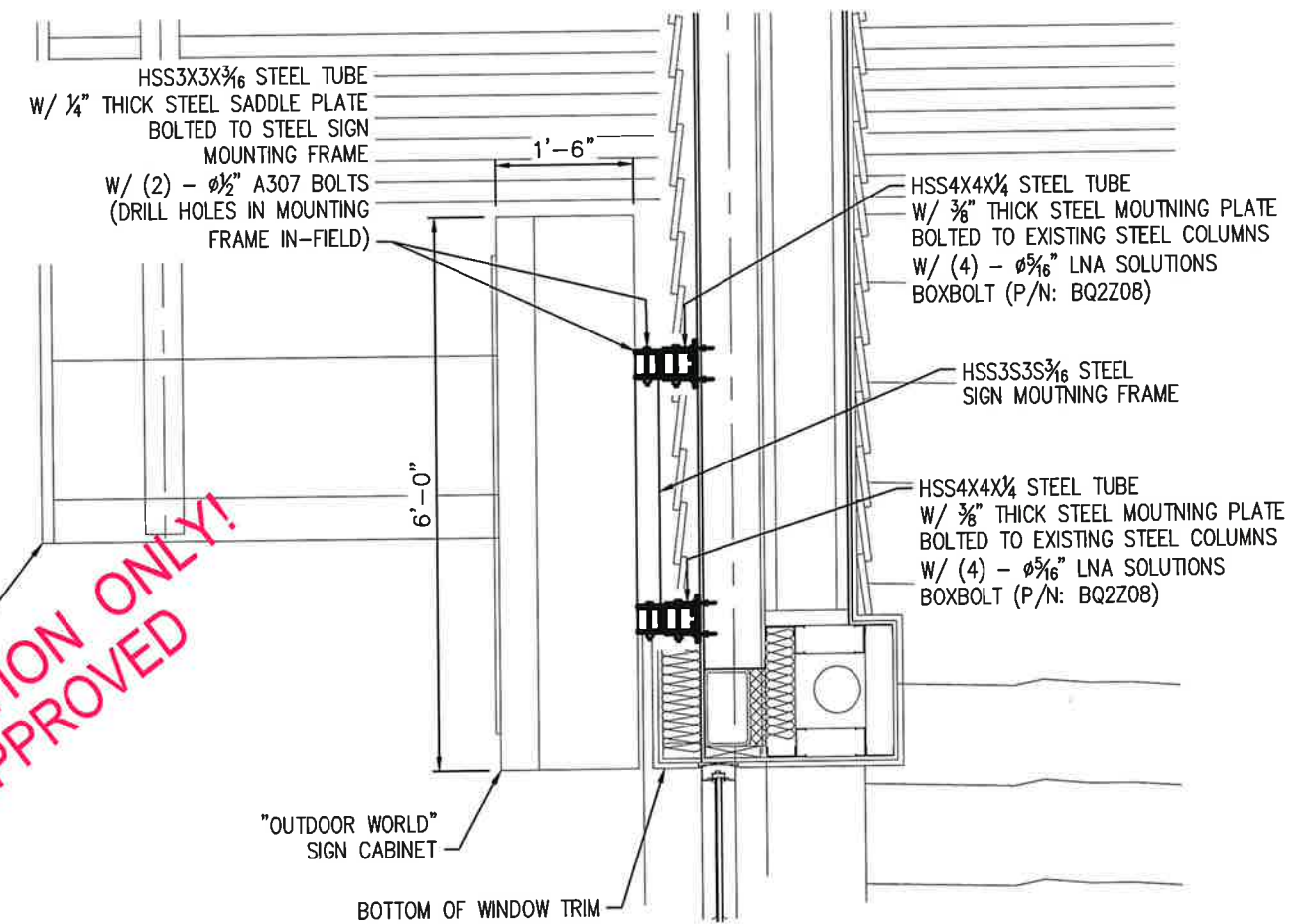
COLOR CALLOUTS	
a	Wall Frame: 3"x3"x3/16" Steel Tube Powder Coat: Smooth Satin Black (40%) Gloss

Engineer: X
License No. X
Building Code: X
Basic Wind Speed: X
Risk Category: X



WALL SIGN ELEVATION

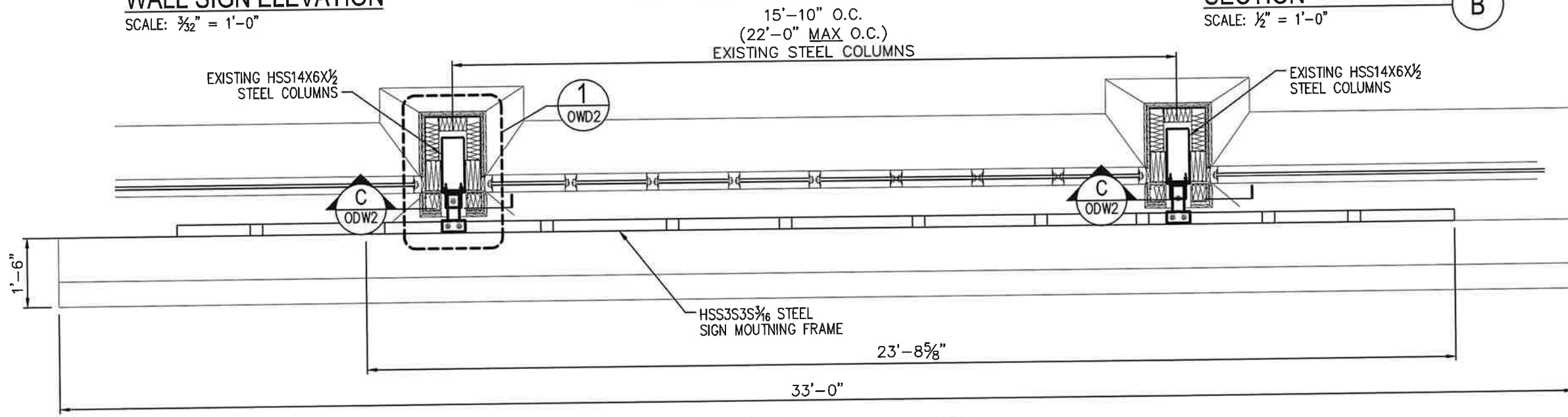
SCALE: $\frac{3}{32}$ " = 1'-0"



SECTION B

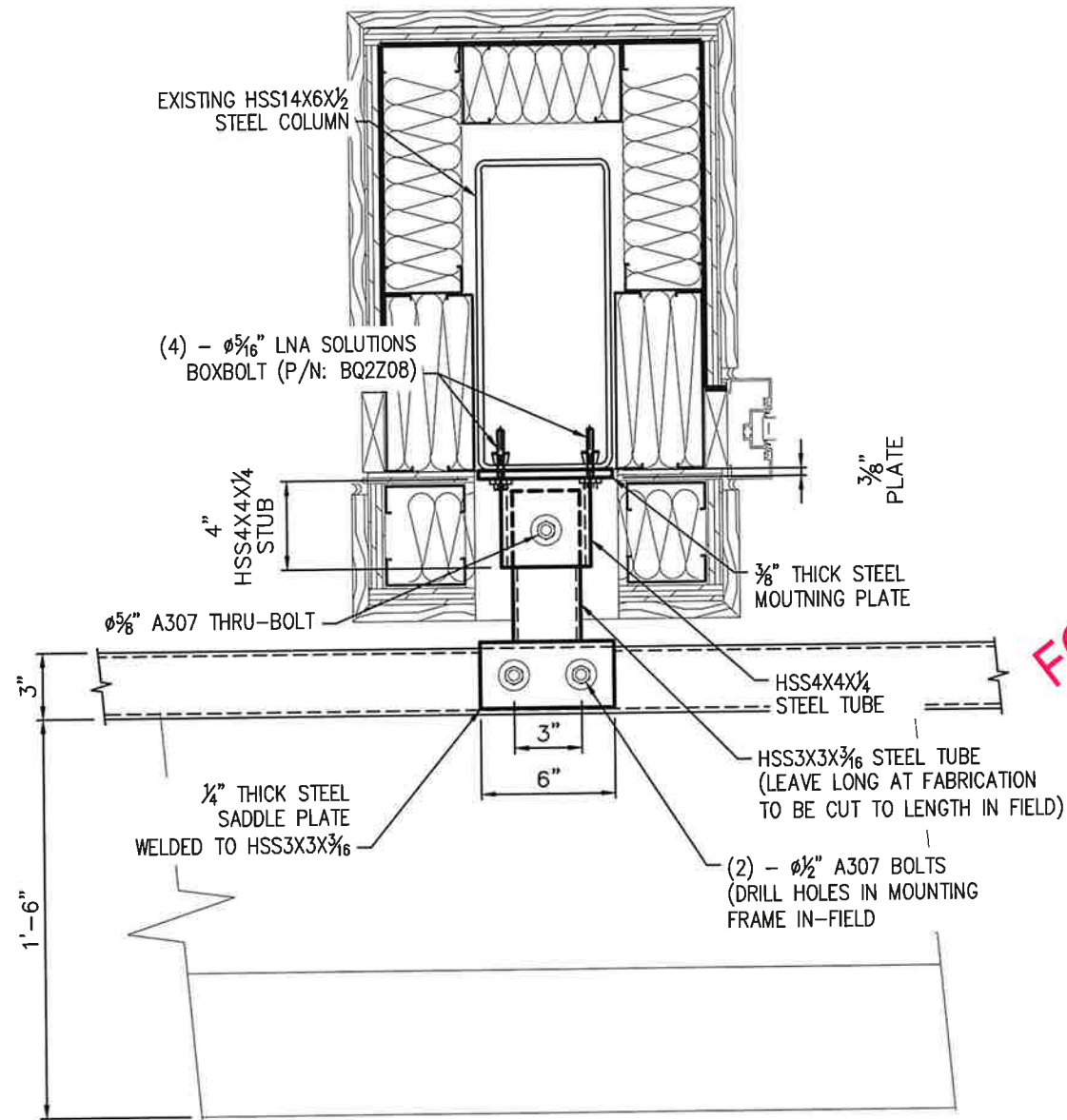
SCALE: $\frac{1}{2}$ " = 1'-0"

FOR ILLUSTRATION ONLY!
NOT YET APPROVED



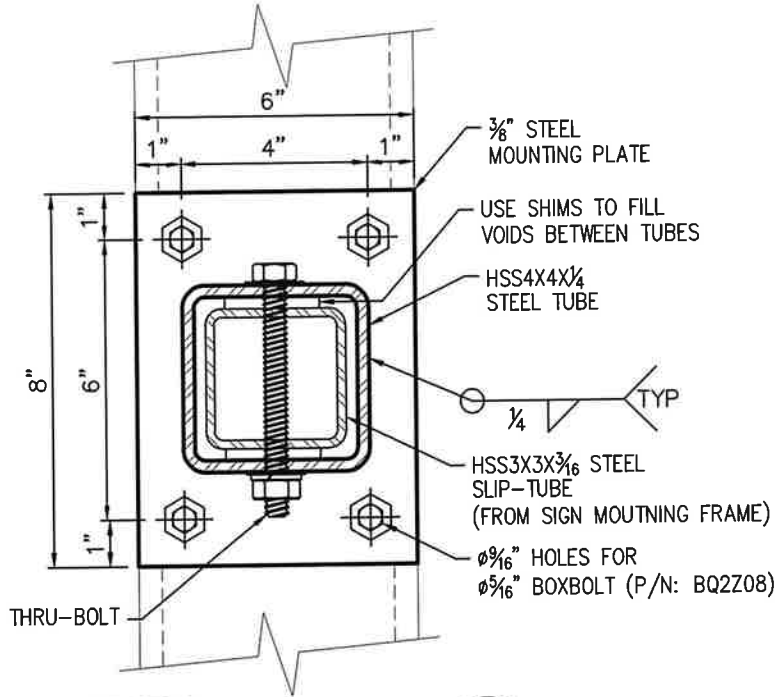
SECTION A

SCALE: $\frac{3}{8}$ " = 1'-0"

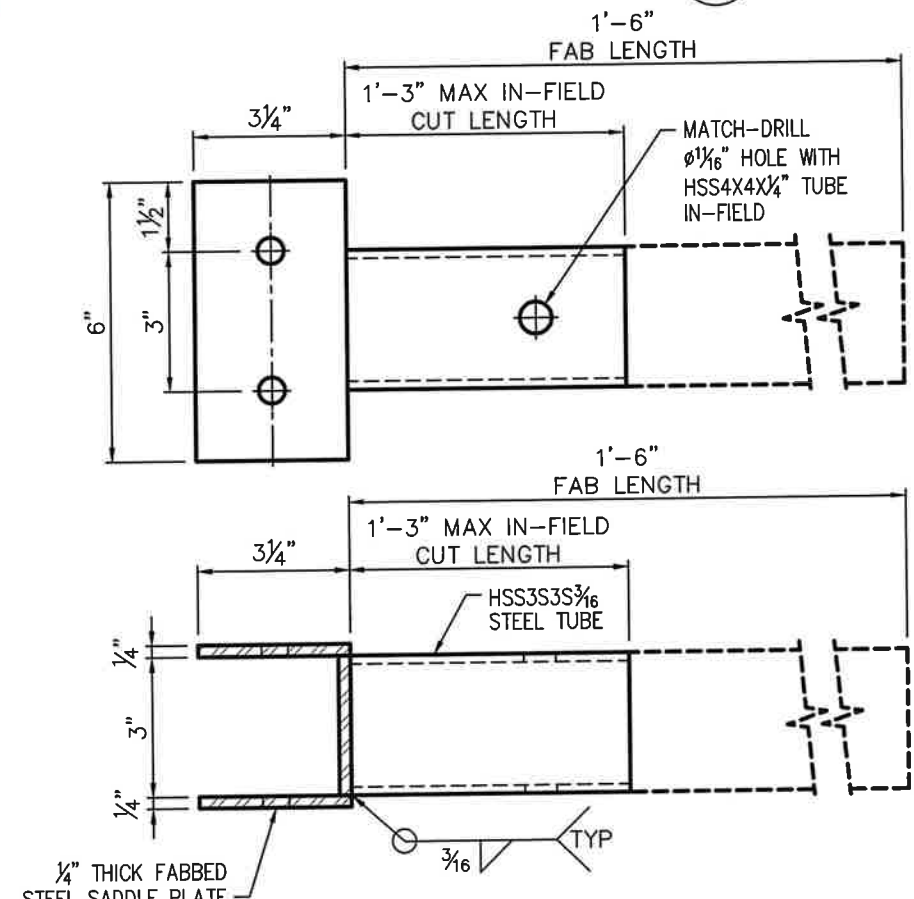


DETAIL
SCALE: $\frac{1}{2}$ " = 1'-0"

FOR ILLUSTRATION ONLY!
NOT YET APPROVED!



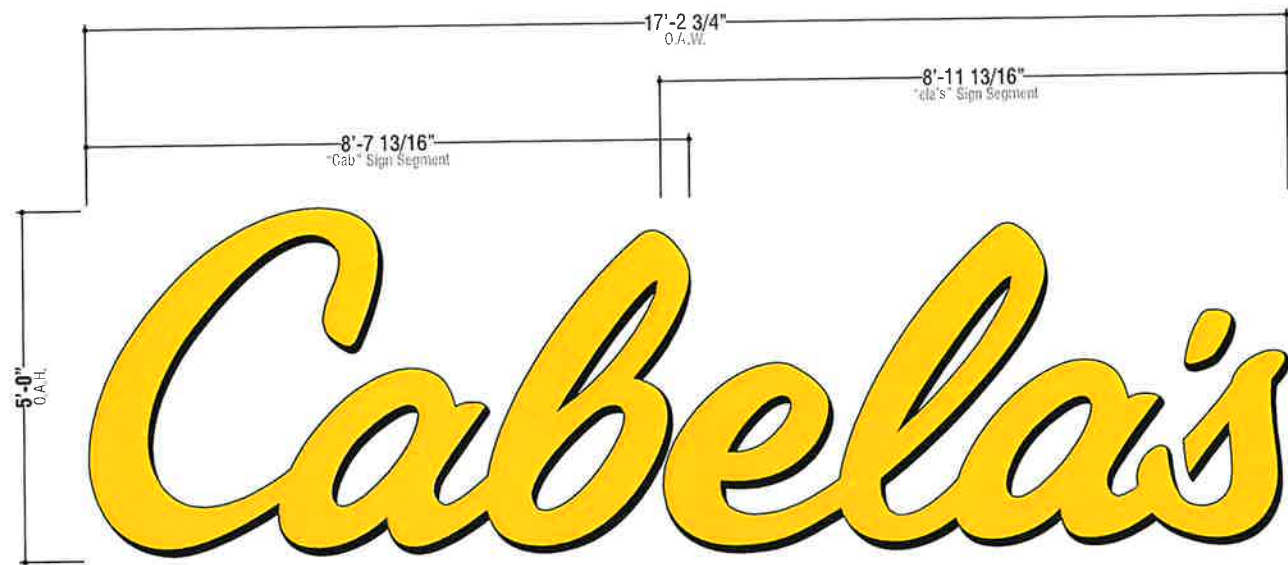
SECTION C
SCALE: 3" = 1'-0"



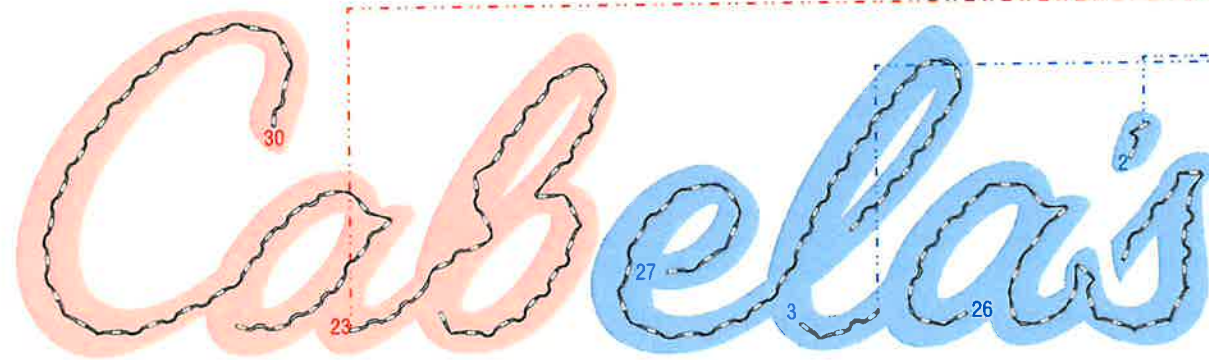
HSS3X3X $\frac{3}{16}$ SLIP-TUBE DETAIL
SCALE: 3" = 1'-0"

sign 4

"Cabela's" @ Front Elevation of Building
CIMA - Permit, Manufacture & Install

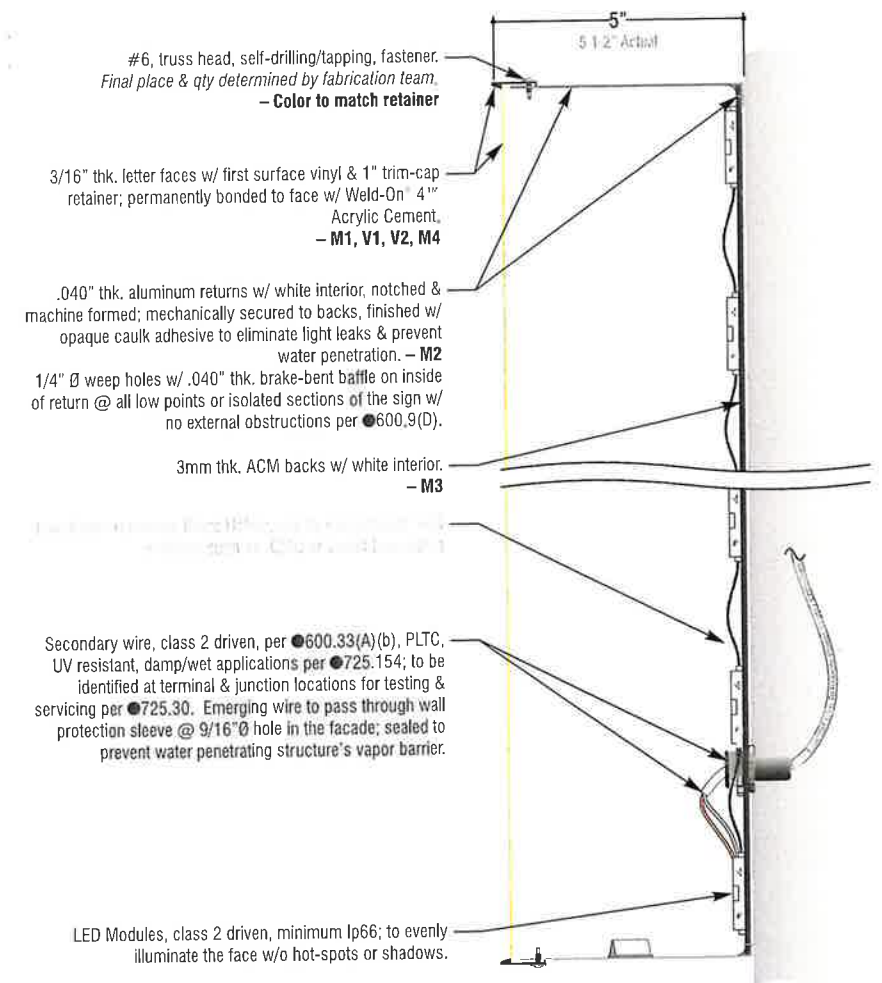


1 Signage - Front View
Scale: 3/8" = 1'-0"

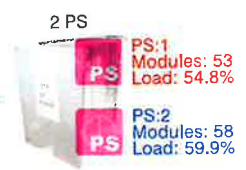


2 Signage - LED / Electrical Details
Scale: 3/8" = 1'-0"

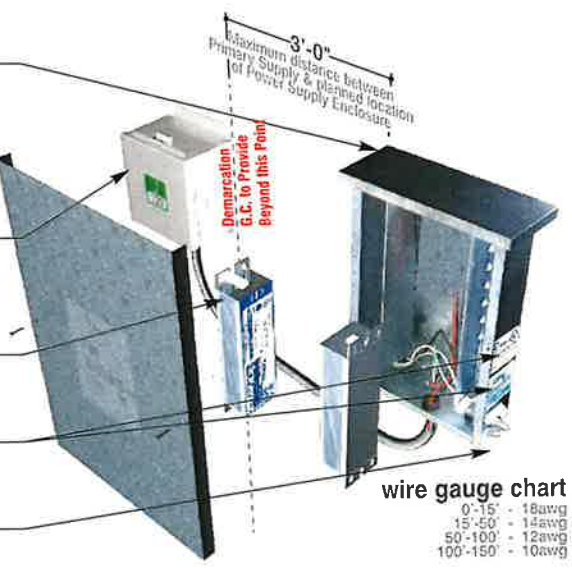
Engineer: X
License No.: X
Building Code: X
Basic Wind Speed: X
Risk Category: X



3 Signage - Section Detail
Scale: 3" = 1'-0"



- Power Supply Enclosure suitable for installation in wet, damp & dry locations; secured in a serviceable location per 600.6(A)(4), 600.8, & 600.21. Enclosure to be grounded w/ minimum 14 AWG wire to supply circuit per 600.7(A)(1), 600.7(B)(1) & 600.7(B)(7). Note: Maximum (2) Power Supplies or components per enclosure.
- 20amp dedicated "Signage" supply circuit, terminated within a junction box suitable for climate exposure box per 600.5(A), 600.5(C)(2), 600.5(D)(1) @ location specified by Cima within this drawing package.
- Power supply/components to be secured within enclosure suitable for climate exposure per 600.8, 600.21, 600.23, & 600.24.
- Cima's Input/Current Rating & certified safety label permanently applied in a visible location while servicing, per 600.4(A).
- 20A 125V disconnect toggle switch w/ lock-out capability per 600.6(A)(2), 600.6(B), located at the point of supply entry into the sign & within sight of transformer per 600.6(A)(1) & 600.6(A)(3).



4 Signage - Fabrication Details
Scale: 1 1/2" = 1'-0"

specifications

- Colors & Finishes**
- V1 3mm 3630-125 Golden Yellow translucent vinyl film
 - V2 3mm 3630-22 Black C translucent vinyl film
 - P1 Black to match pre-finished letter coil
 - M1 3/16" thk. 2447 white polycarbonate
 - M2 .040" Thk. Pre-Finished Black/White Aluminum Coil
 - M3 3mm Thk. Pre-Finished Black/White Aluminum Sheet
 - M4 1" "Jewelrite" aluminum reinforced, Pre-Finished Black trimcap retainer

- Signage Specifications:**
- Square Footage: 86.1 sq. ft.
 - Approx. Weight: 236 lbs
 - Location: Exterior
 - Type of Illumination: LED
 - Location of Power Supply: Remote
 - Wall Composition: (Tech Survey to Verify)
 - X

- Power Specifications:**
- Amps Req'd: 1.6 @ 120 Volts
 - Circuits Req'd: 1
 - Secondary Whip Type: 18/2
 - Length: 10' Per Segment
 - Primary Whip - @ Remote Power Supply Enclosure
 - Type: 12/2 w/ Bare Ground in Flexible Metal conduit
 - Length: 10' Per Enclosure

- LED Specifications:**
- Brand: Hanley LED
 - Model: Phoenix NRG PE-2
 - Part #: HLED-PE2W7K
 - Color: 7000K Pure White
 - Voltage: 12
 - Total Quantity: 111
 - Watts / Module: .62 watts
 - Total Watts: 68.8 watts
 - Maximum Modules per PS: 96
- Power Supplies Specifications:**
- Brand: Hanley LED
 - Model: HanleyLED 60W
 - Part #: H60W-SD-12
 - Output Watts: 60
 - Input Voltage: 100-277
 - Input Current: 0.8 Amps @110V
 - Classification: 2
 - Quantity: 2

- Survey Notes:**
- Verify architectural construction and provide recommended method of installation for proposed signage.
 - Verify dedicated supply circuit is in a permanently accessible location for final hook up/future service, & is within 3'-0" of the location of the remote components for the proposed signage, or at Cima specified location.
 - Verify dedicated supply circuit is capable of providing sufficient power to meet the load of the proposed signage.

- Sign Installer Notes:**
- Seal all penetrations in facade w/ appropriate sealant to meet wall construction & climate exposure.
 - Supply/utilize appropriate installation hardware to meet actual wall conditions; determined @ survey or time of install.
 - Complete final hookup to signage; if local code allows & supply circuit is provided @ time of installation.
 - No wiring is to be visible @ completion of installation w/o consulting w/ Cima's PM, unless noted within this drawing package.
 - DO NOT Penetrate roofing membrane w/o consulting w/ Cima's PM; unless noted within this drawing package.

- General Contractor Note:**
- Provide F.R.T. blocking or Sheet metal strapping at proposed signage location as specified by Cima within this drawing package.
 - Provide dedicated "Signage" supply circuit, terminated in a junction box suitable for climate exposure @ location specified by Cima within this drawing package, per 600.5(A), 600.5(C)(2), 600.5(D)(1).

wire gauge chart

0'-15'	18awg
15'-50'	15awg
50'-100'	12awg
100'-150'	10awg



Cima Network Inc.
121 New Britain Blvd.
Chalfont, PA 18914
office: 267.308.0575
fax: 267.308.0577
www.cimanetwork.com

This is an original, unpublished drawing, created by Cima Network, Inc. It is submitted for your exclusive review, in connection with a project being proposed by Cima Network, Inc. It is not to be shown to anyone outside your organization, nor is it to be used, reproduced, copied or exhibited in any fashion without the expressed consent of Cima Network, Inc.

Client: Bass Pro Shops
Designer: KS PM: AOH

Job#: 34275
Address: 7555 SW Nyberg St, Tualatin, OR 97062

DATE 6.2.24 REVISION 5

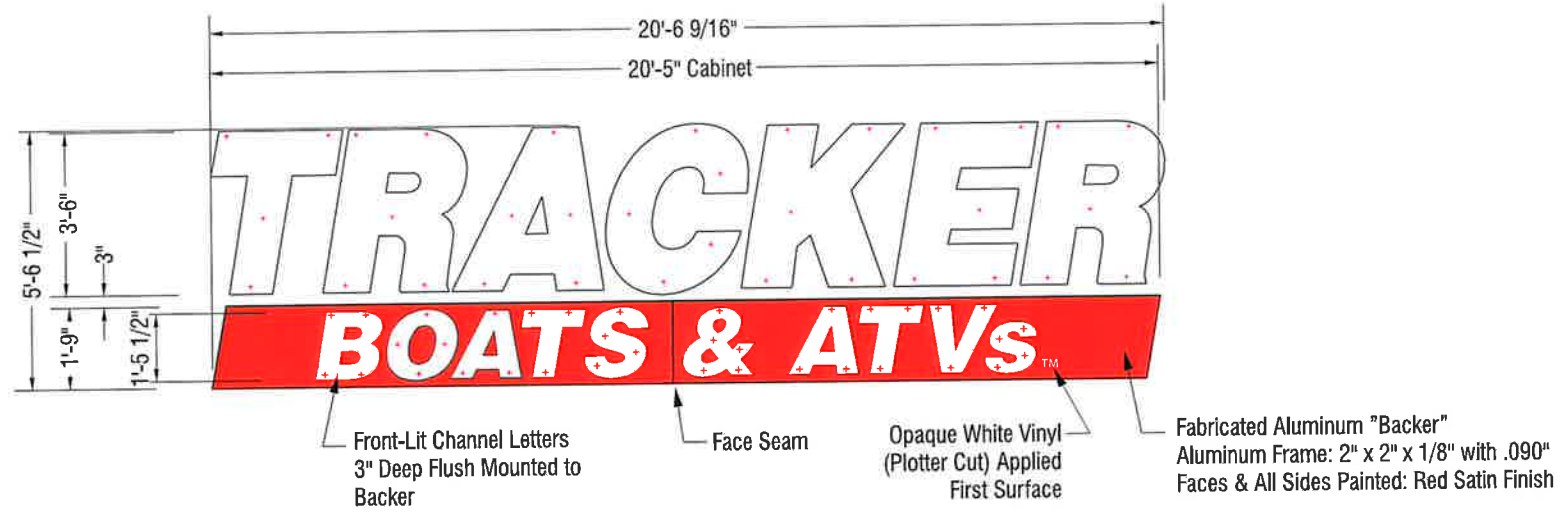


sign 5

"Tracker Boats & ATVs" @ Front Elevation of Building
CIMA - Permit, Manufacture & Install

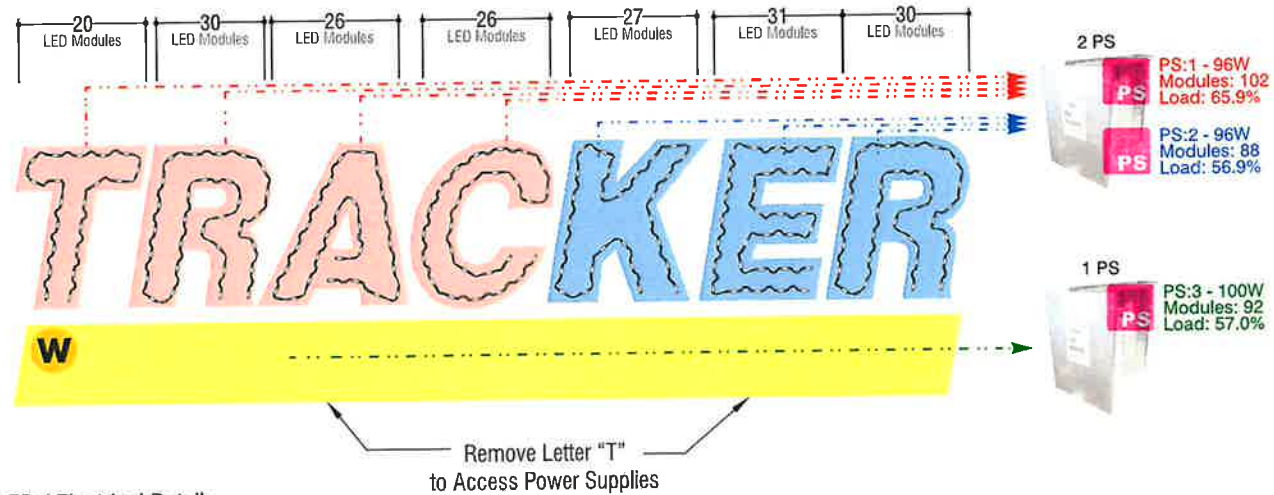


2 Side View
23 Scale: 1/4" = 1'-0"

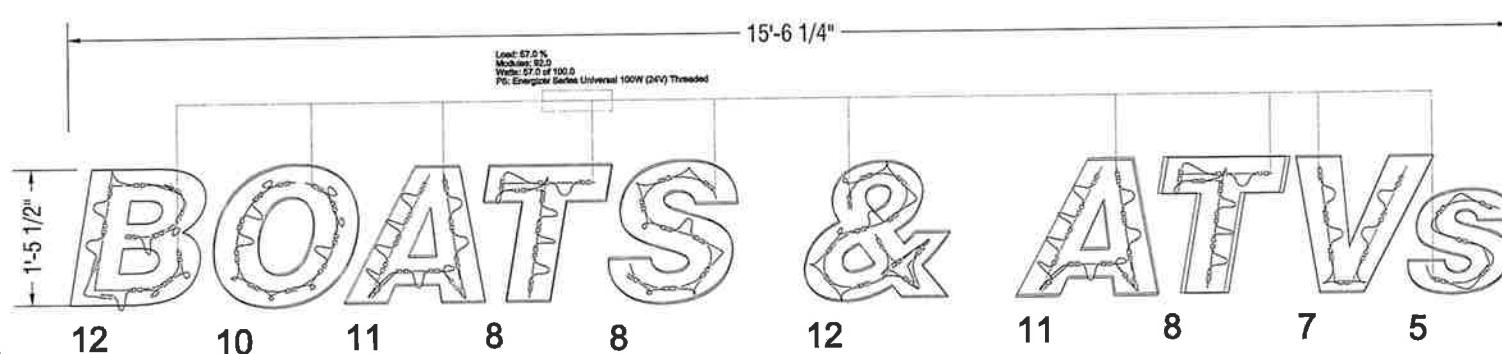


1 Front View
23 Scale: 1/4" = 1'-0" **113.8 Sq. Ft.**

- finish specifications**
- P1 PMS BlackC w/ Satin Finish
 - M1 .090" Aluminum Painted MP #15193 Red Satin Finish
 - M2 3/16" thk. #7328 White Acrylic
 - M3 .040" pre-finished White/Black letter coil
 - M4 3mm pre-finished White/Black aluminum sheet
 - M5 1" Trim-Cap pre-finished Black



3 LED / Electrical Details
23 Scale: 3/8" = 1'-0"



4 LED Layout - Secondary Letters
23 Scale: 1/2" = 1'-0"

AMP DRAW: 1.83 A
ESTIMATED PRODUCT PER SIGN
N/A
(92) pcs Hanley Phoenix NRG PRO PN2-24 7000K (HLED-PN2W7K)
(1) pcs Energizer Series Universal 100W (24V) Threaded (P-OH100-24-EC-T)

Engineer: X
License No: X
Building Code: X
Basic Wind Speed: X
Risk Category: X



Cima Network Inc.
121 New Britain Blvd.
Chalfont, PA 18914
office: 267.308.0575
fax: 267.308.0577
www.cimanetwork.com

This is an original, unpublished drawing, created by Cima Network, Inc. It is submitted for your exclusive review, in connection with a project being proposed by Cima Network, Inc. It is not to be shown to anyone outside your organization, nor is it to be used, reproduced, copied or exhibited in any fashion without the expressed consent of Cima Network, Inc.

Client: Bass Pro Shops
Designer: KS PM: AOH

Job#: 34275
Address: 7555 SW Nyberg St, Tualatin, OR 97062

DATE **6.2.24**

REVISION **5**

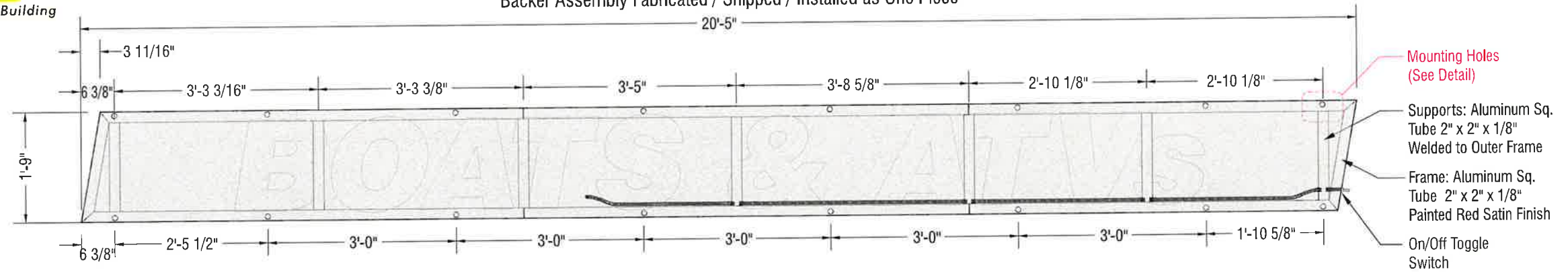


sign 5

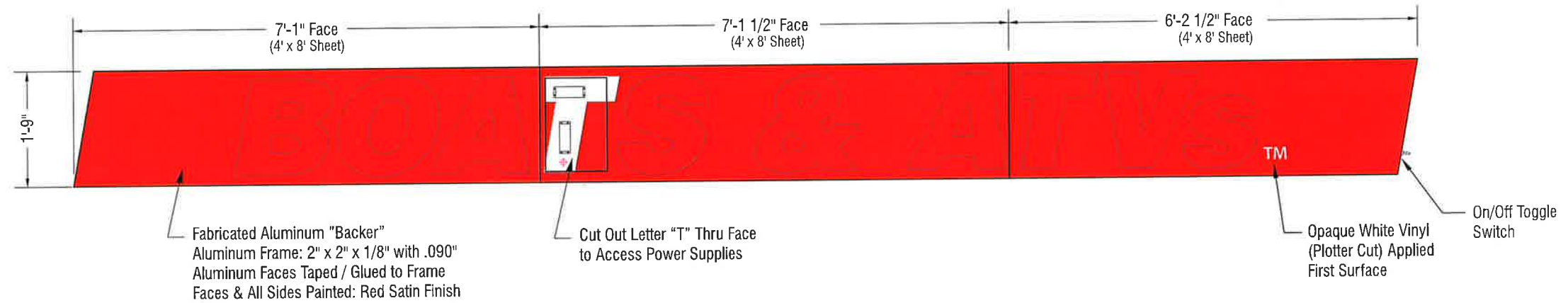
"Tracker Boats & ATVs" @ Front Elevation of Building
CIMA - Permit, Manufacture & Install

42" Remote

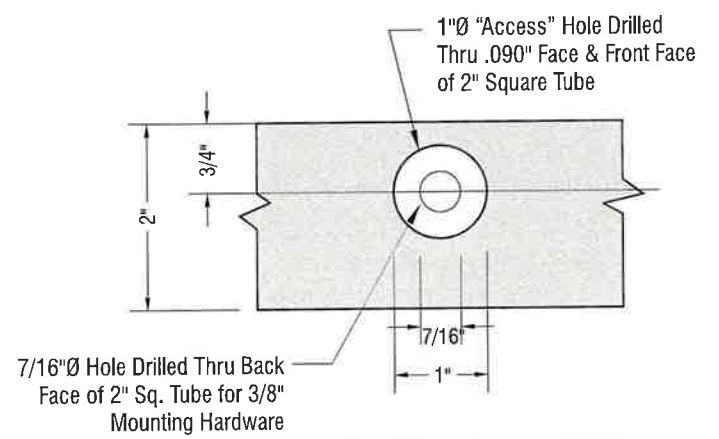
Backer Assembly Fabricated / Shipped / Installed as One Piece



7 Front View - Frame
Scale: 1/2" = 1'-0"

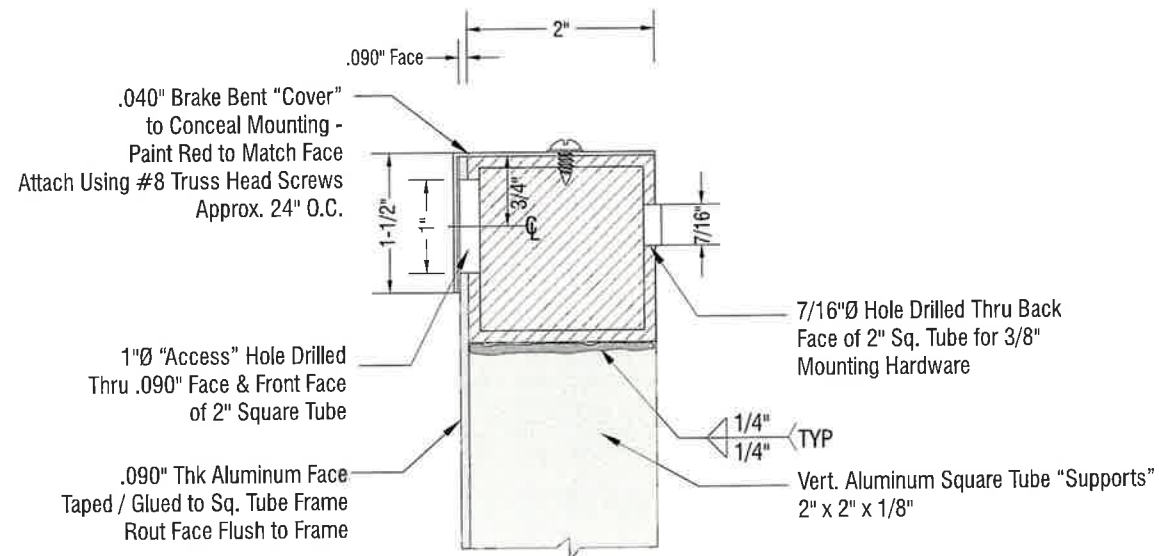


8 Front View - Backer Assy.
Scale: 3/4" = 1'-0"



Note: Mounting Holes are Off-Set On 2" Tube so Retainer Does Not "Clash" with Letters

9 Front View - Mounting Holes
Scale: 1:2



10 Detail View - Mounting Holes
Scale: 1:2

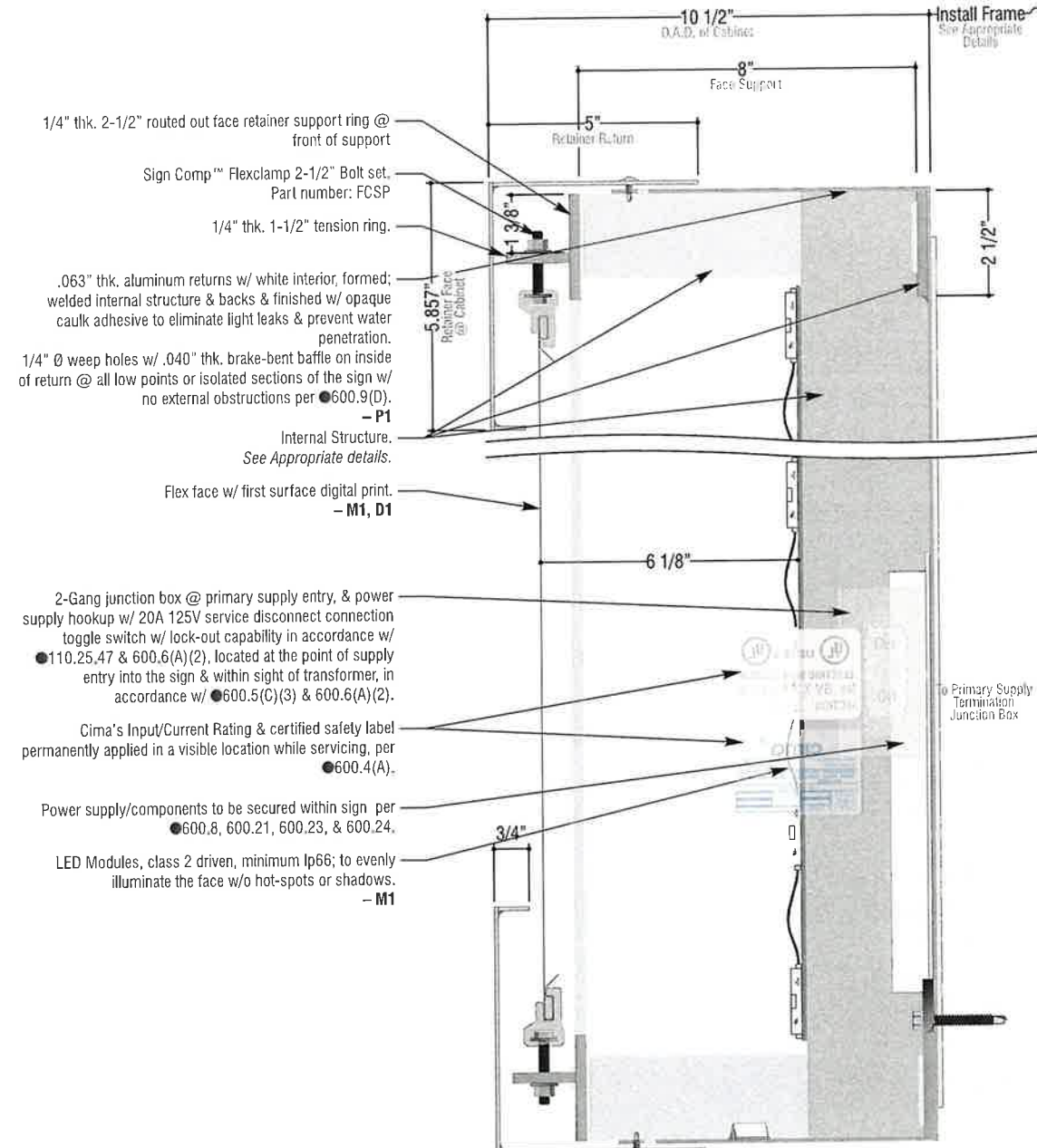
MP #15193 Red Satin Finish

sign 6

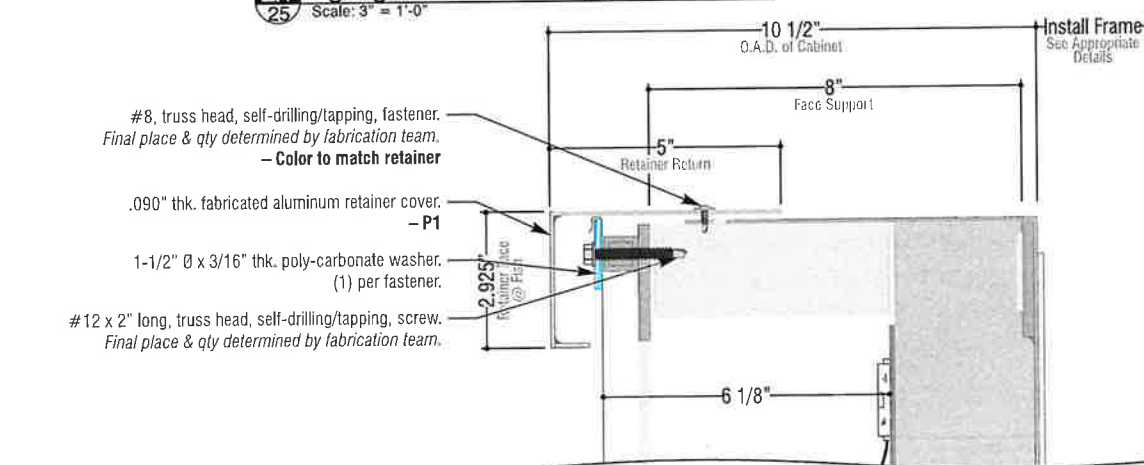
"Bass Pro Shops" Flex Face Cabinet @ West Elevation of Building
CIMA - Permit, Manufacture & Install



1 Signage - Front View
Scale: 1/4" = 1'-0"



21 Signage - Section Detail @ Main Cabinet
Scale: 3/8" = 1'-0"



32 Signage - Section Detail @ Fish Area
Scale: 3/8" = 1'-0"

- finish specifications**
- P1 SW 2126 Tricorn Black w/ Satin Finish
 - D1 3-Layer Color-White-Color Digital Print Graphic w/ UV clear coat
 - M1 3mm Panagraphics III 13oz White Flexible Substrate
 - M2 3mm pre-finished White/White alum composite material (ACM) sheet

- technical specifications**
- Signage Specifications:
- Square Footage: 266.67 sq. ft.
 - Approx. Weight: 989 lbs
 - Location: Exterior
 - Type of Illumination: LED
 - Location of Power Supply: Self Contained
 - Wall Composition:
 - 18" Ø Stl tube frame w/ Existing welded supports.

- Power Specifications:
- Amps Req'd: 6.0 @ 120 Volts
 - Circuits Req'd: 1
 - Primary Whip
 - Type: 12/2 w/ Bare Ground in Licalite® flexible conduit
 - Length: 10'

- Survey Notes:**
- Verify dedicated supply circuit is in a permanently accessible location for final hook up/future service, & is within 3'-0" of the location of the remote components for the proposed signage, or at Cima specified location.
 - Verify dedicated supply circuit is capable of providing sufficient power to meet the load of the proposed signage.

- Fabrication Notes:**
- Follow Established & Approved Manufacturing Guidelines

- Sign Installer Notes:**
- Supply/utilize appropriate installation hardware to meet actual field conditions; determined @ survey or time of install.
 - Complete final hookup to signage; if local code allows & supply circuit is provided @ time of installation.
 - No wiring is to be visible @ completion of installation w/o consulting w/ Cima's PM; unless noted within this drawing package.
 - DO NOT Penetrate roofing membrane w/o consulting w/ Cima's PM; unless noted within this drawing package.

- General Contractor Note:**
- Provide dedicated "Signage" supply circuit, terminated in a junction box suitable for climate exposure @ location specified by Cima within this drawing package, per 600.5(A), 600.5(C)(2), 600.5(D)(1).

Engineer: X
License No: X
Building Code: X
Basic Wind Speed: X
Risk Category: X



Cima Network Inc.
121 New Britain Blvd.
Chalfont, PA 18914
office: 267.308.0575
fax: 267.308.0577
www.cimanetwork.com

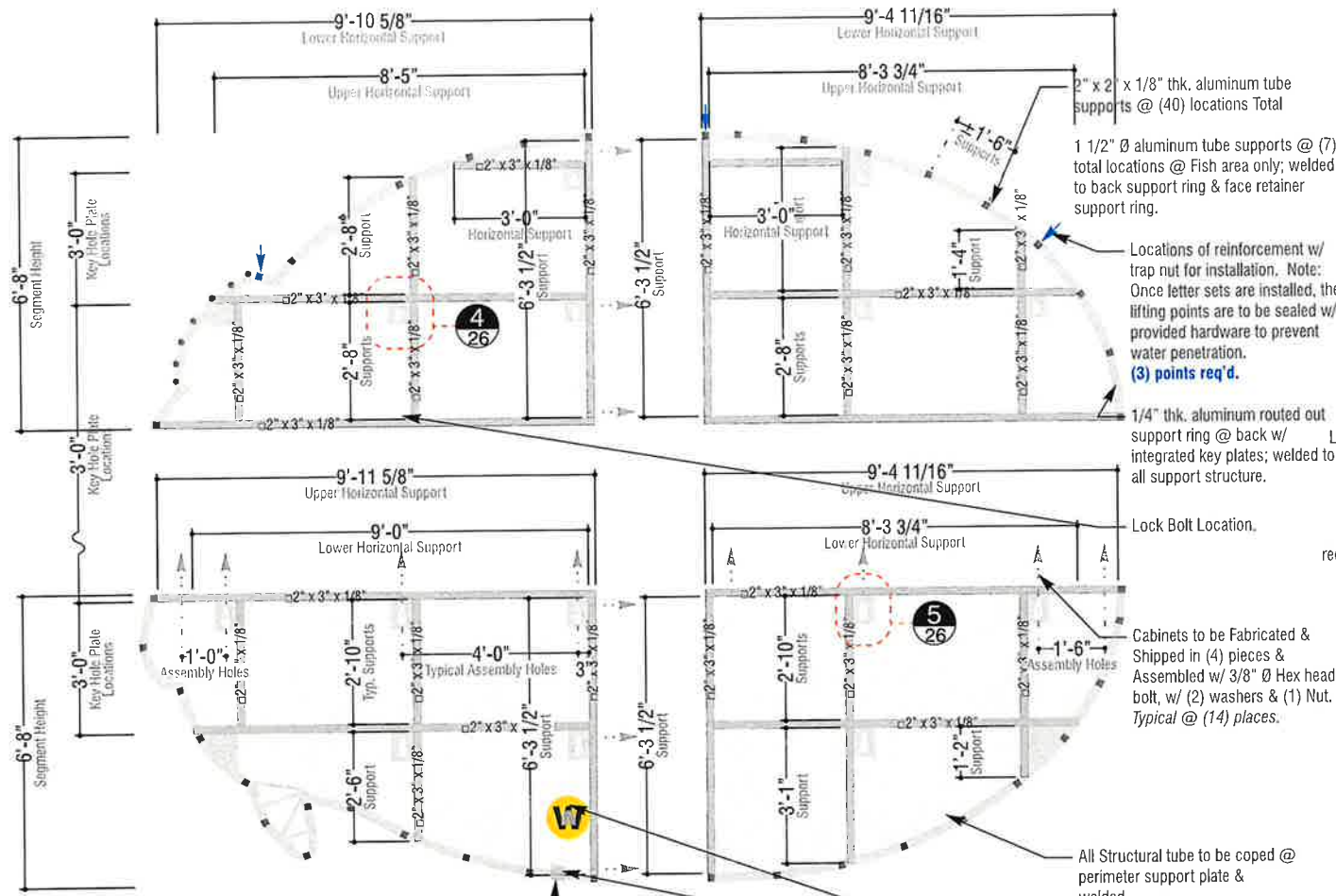
This is an original, unpublished drawing, created by Cima Network, Inc. It is submitted for your exclusive review, in connection with a project being proposed by Cima Network, Inc. It is not to be shown to anyone outside your organization, nor is it to be used, reproduced, copied or exhibited in any fashion without the expressed consent of Cima Network, Inc.

Client: Bass Pro Shops
Designer: KS PM: AOH

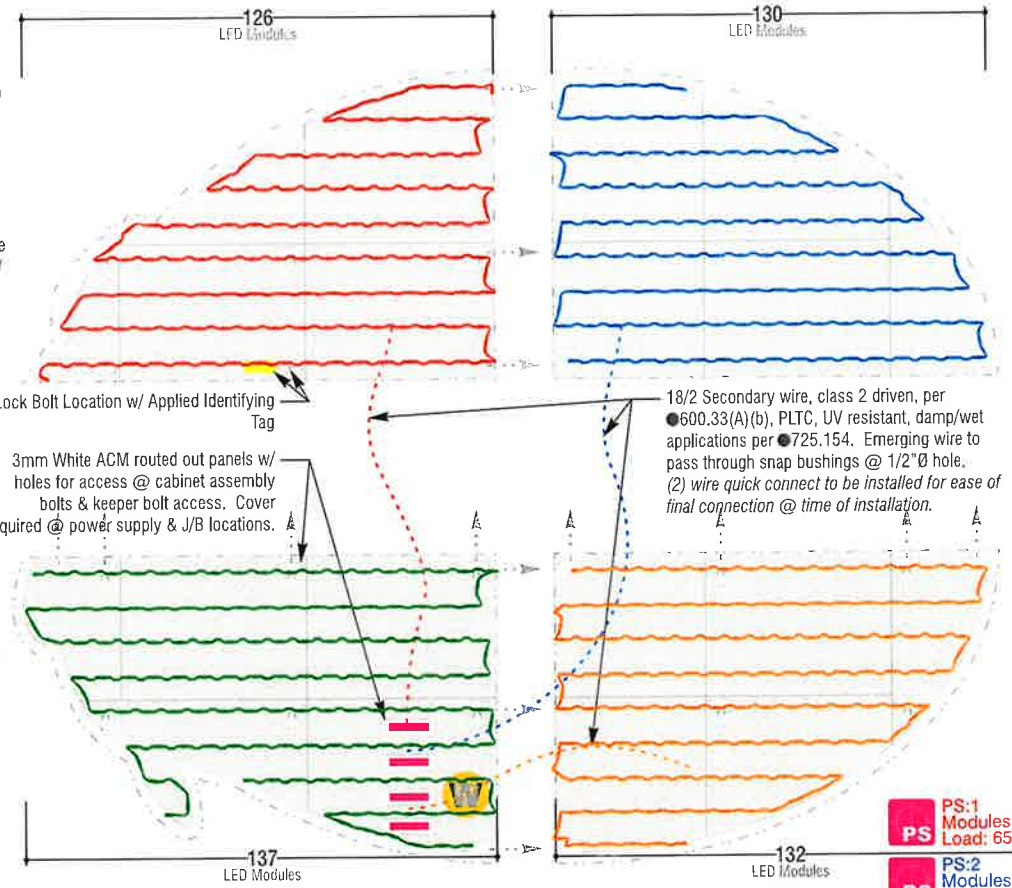
Job#: 34275
Address: 7555 SW Nyberg St, Tualatin, OR 97062

DATE 6.2.24 REVISION 5

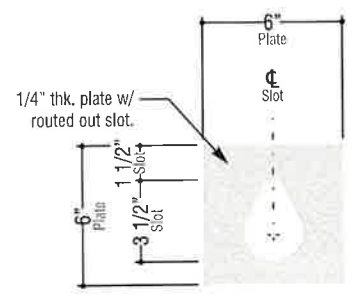




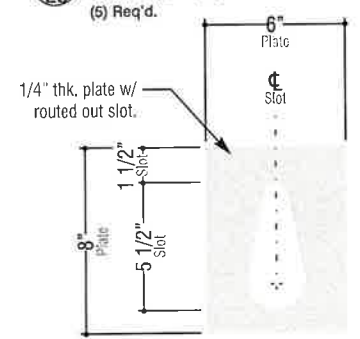
1 Signage - Internal Frame Structure
Scale: 1/4" = 1'-0"



2 Signage - LED / Electrical Details
Scale: 1/4" = 1'-0"



4 Signage - Alternate Key Plate
Scale: 1-1/2" = 1'-0"
(5) Req'd.



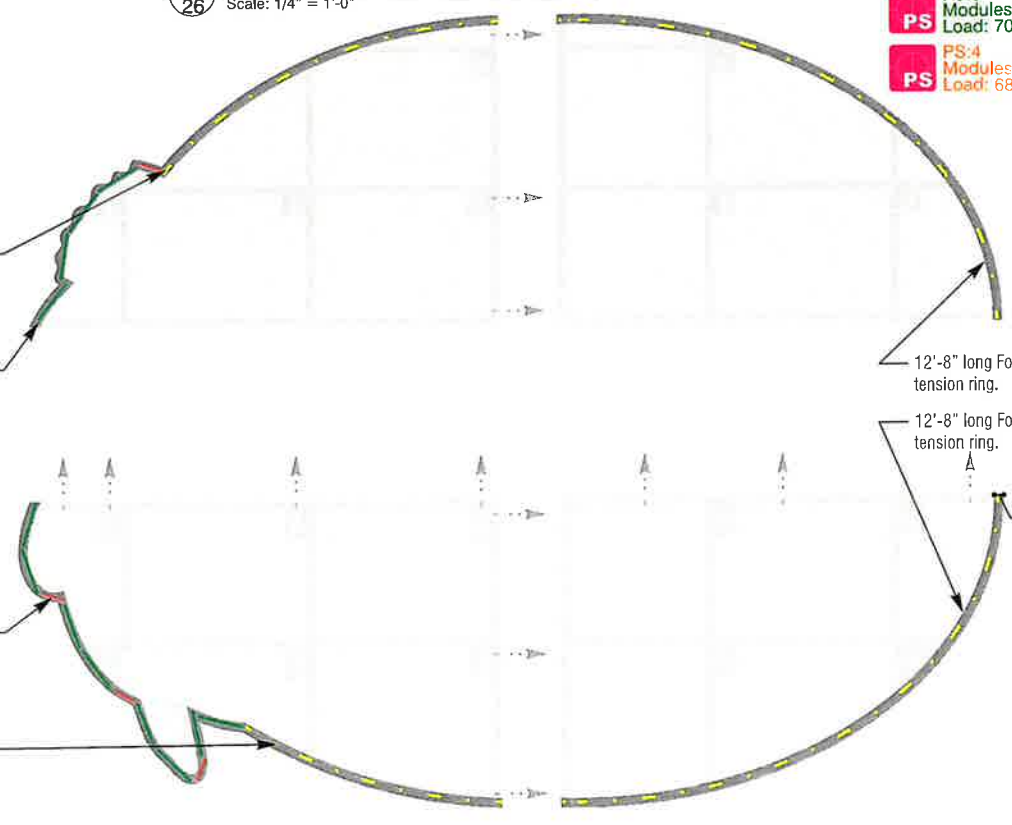
5 Signage - Typical Key Plate
Scale: 1-1/2" = 1'-0"
(8) Req'd.

8'-1" long Formed face tension ring.

3/4" x 3/4" aluminum tube shims @ fish only.
(1) 6" long Pieces req'd. @ top segment.
(4) 12" long Pieces req'd. @ top segment.

5'-10" long Formed face tension ring.

3/4" x 3/4" aluminum tube shims @ fish only.
(3) 6" long Pieces req'd. @ top segment.
(8) 12" long Pieces req'd. @ top segment.



3 Signage - LED / Electrical Details
Scale: 1/4" = 1'-0"

finish specifications
P1 SW 2126 Tricorn Black w/ Satin Finish
D1 3-Layer Color-White-Color Digital Print Graphic w/ UV clear coat
M1 3mm Panagraphics III 13oz White Flexible Substrate
M2 3mm pre-finished White/White alum composite material(ACM) sheet

technical specifications
Signage Specifications:
Square Footage: 266.67 sq. ft.
Approx. Weight: 989 lbs
Location: Exterior
Type of Illumination: LED
Location of Power Supply: Self Contained
Wall Composition:
• 18" Ø Stl tube frame w/ Existing welded supports.

Power Specifications:
Amps Req'd: 6.0 @ 120 Volts
Circuits Req'd: 1
Primary Whip
Type: 12/2 w/ Bare Ground in Liquefite® flexible conduit
Length: 10'

LED Specifications:
Brand: Hanley LED
Model: Phoenix NRG PE-2
Part #: HLED-PE2W7K
Color: 7000K Pure White
Voltage: 12
Total Quantity: 525
Watts / Module: 0.62
Total Watts: 325.5
Maximum Modules / 60W PS: 96
Maximum Modules / 120W PS: 192
Maximum Modules / 240W PS: 384

Power Supplies Specifications:
Brand: Hanley LED
Model: Superior Series
Part #: H120W-SD-12
Output Watts: 120w Total @ (2) Tails
Input Voltage: 115-277
Input Current: 1.5 Amps @120V
Classification: 2
Quantity: 4

Survey Notes:
• Verify dedicated supply circuit is in a permanently accessible location for final hook up/future service, & is within 3'-0" of the location of the remote components for the proposed signage, or at Cima specified location.
• Verify dedicated supply circuit is capable of providing sufficient power to meet the load of the proposed signage.

Fabrication Notes:
• Follow Established & Approved Manufacturing Guidelines

Sign Installer Notes:
• Supply/utilize appropriate installation hardware to meet actual field conditions; determined @ survey or time of install.
• Complete final hookup to signage; if local code allows & supply circuit is provided @ time of installation.
• No wiring is to be visible @ completion of installation w/o consulting w/ Cima's PM; unless noted within this drawing package.
• DO NOT Penetrate roofing membrane w/o consulting w/ Cima's PM; unless noted within this drawing package.

General Contractor Note:
• Provide dedicated "Signage" supply circuit, terminated in a junction box suitable for climate exposure @ location specified by Cima within this drawing package, per 600.5(A), 600.5(C)(2), 600.5(D)(1).

Engineer: X
License No: X
Building Code: X
Basic Wind Speed: X
Risk Category: X

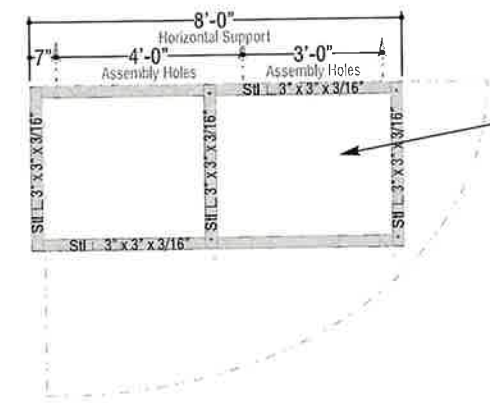
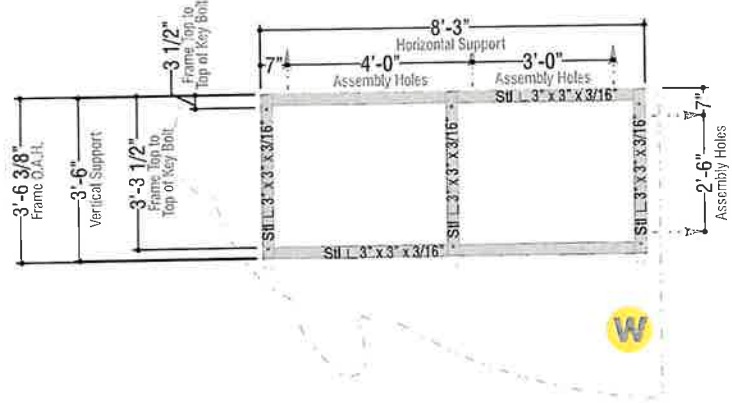
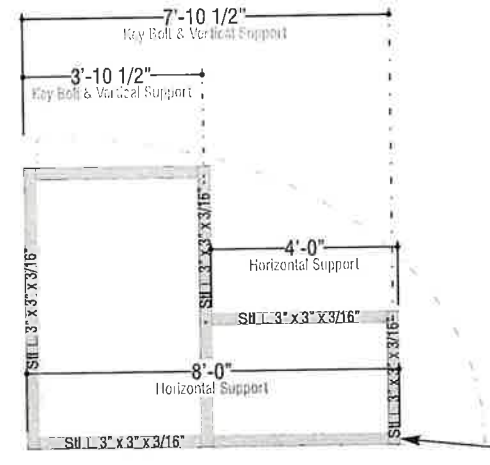
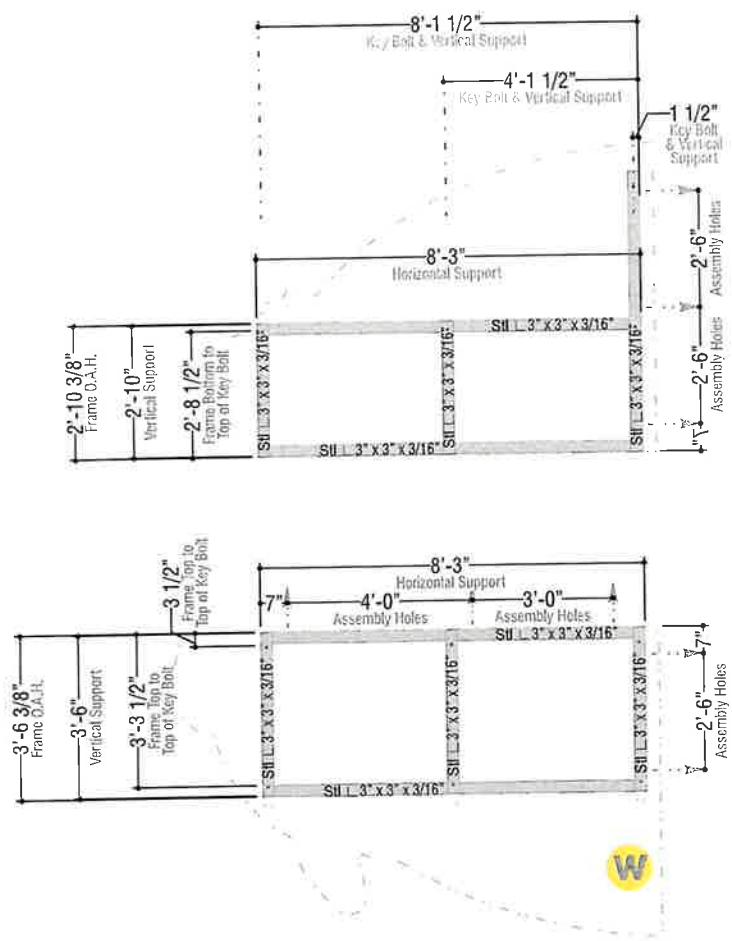


Cima Network Inc.
121 New Britain Blvd.
Chalfont, PA 18914
office: 267.308.0575
fax: 267.308.0577
www.cimainetwork.com

This is an original, unpublished drawing, created by Cima Network, Inc. It is submitted for your exclusive review, in connection with a project being proposed by Cima Network, Inc. It is not to be shown to anyone outside your organization, nor is it to be used, reproduced, copied or exhibited in any fashion without the expressed consent of Cima Network, Inc.

Client: Bass Pro Shops
Designer: KS PM: AOH
Job#: 34275
Address: 7555 SW Nyberg St, Tualatin, OR 97062

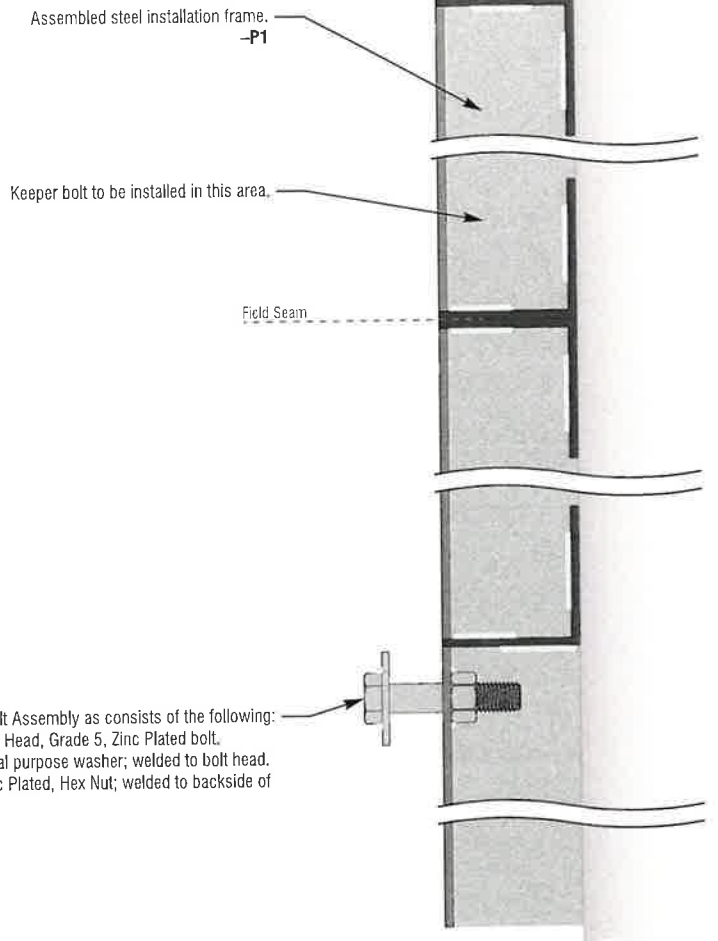
DATE 6.2.24 REVISION 5



All Steel to be welded & finished w/ non-corrosive black primer.

Frames to be Fabricated & Shipped in (2) pieces & Assembled w/ 3/8" Ø Hex head bolt, w/ (2) washers & (1) Nut, Typical @ (11) places.

- Key Bolt Assembly as consists of the following:
- 5/8-11 x 3" L. Hex Head, Grade 5, Zinc Plated bolt.
 - 3/4" x 2" Ø, general purpose washer; welded to bolt head.
 - 5/8", Grade 5, Zinc Plated, Hex Nut; welded to backside of steel frame.



- finish specifications**
- P1 SW 2126 Tricorn Black w/ Satin Finish
 - D1 3-Layer Color-White-Color Digital Print Graphic w/ UV clear coat
 - M1 3m™ Panagraphics™ III 13oz White Flexible Substrate
 - M2 3mm pre-finished White/White alum composite material(ACM) sheet

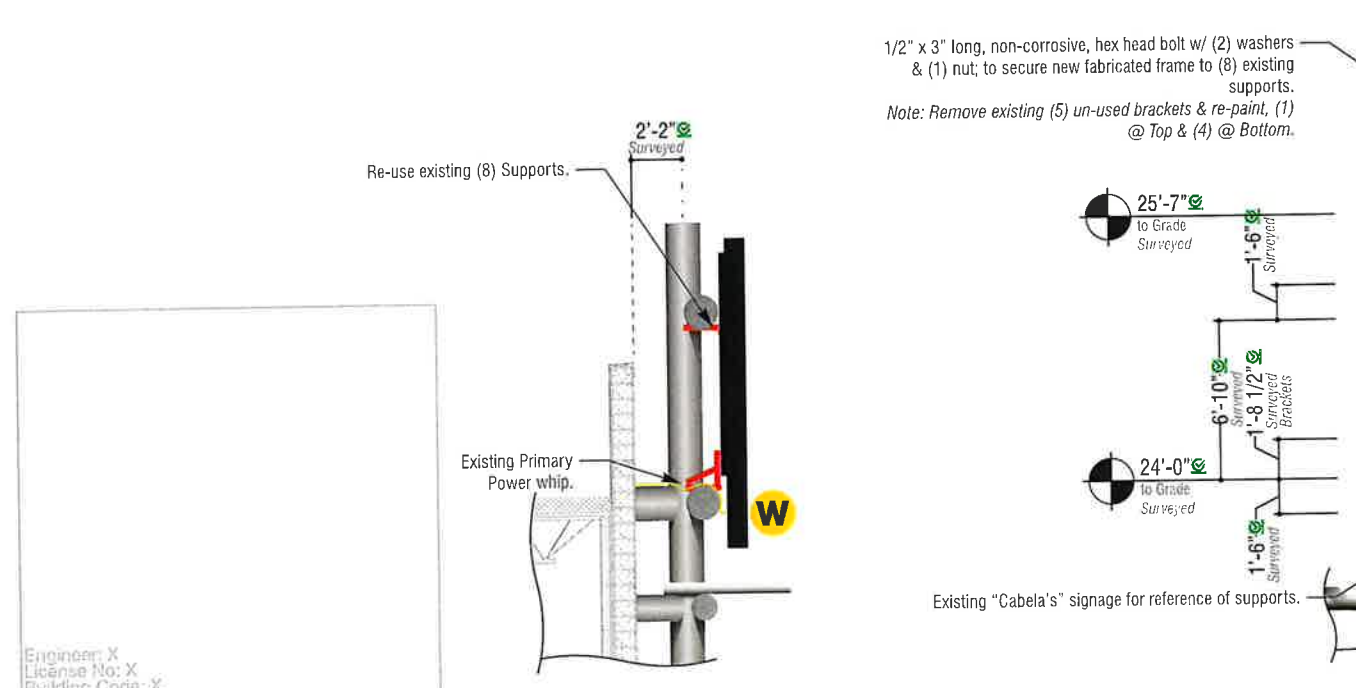
- technical specifications**
- Signage Specifications:**
- Square Footage: 266.67 sq. ft.
 - Approx. Weight: 989 lbs
 - Location: Exterior
 - Type of Illumination: LED
 - Location of Power Supply: Self Contained
 - Wall Composition:
 - 18" Ø Stl tube frame w/ Existing welded supports.

- Power Specifications:**
- Amps Req'd: 6.0 @ 120 Volts
 - Circuits Req'd: 1
 - Primary Whip
 - Type: 12/2 w/ Bare Ground in Liqatite® flexible conduit
 - Length: 10'

- LED Specifications:**
- Brand: Hanley LED
 - Model: Phoenix NRG PE-2
 - Part #: HLED-PE2W7K
 - Color: 7000K Pure White
 - Voltage: 12
 - Total Quantity: 525
 - Watts / Module: 0.62
 - Total Watts: 325.5
 - Maximum Modules / 60W PS: 96
 - Maximum Modules / 120W PS: 192
 - Maximum Modules / 240W PS: 384
- Power Supplies Specifications:**
- Brand: Hanley LED
 - Model: Superior Series
 - Part #: H120W-SD-12
 - Output Watts: 120w Total @ (2) Tails
 - Input Voltage: 115-277
 - Input Current: 1.5 Amps @120V
 - Classification: 2
 - Quantity: 4

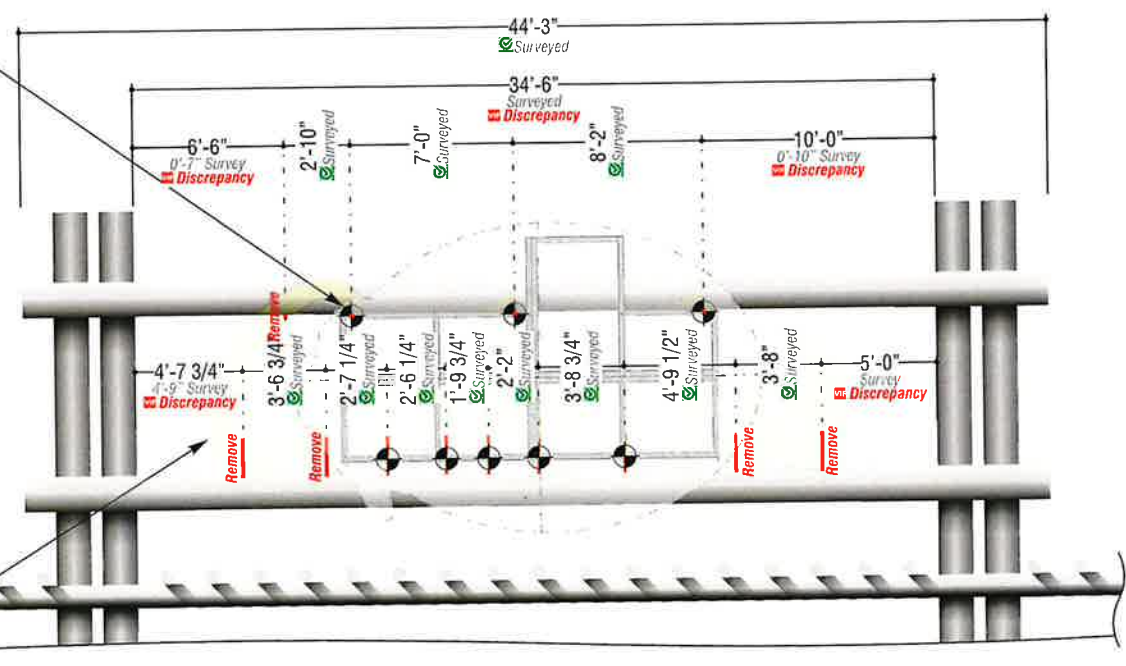
1 Signage - Installation Frame
Scale: 1/4" = 1'-0"

2 Signage - Installation Frame
Scale: 3" = 1'-0"



3 Signage - Installation Details
Scale: 1/8" = 1'-0"

Engineer: X
License No: X
Building Code: X
Basic Wind Speed: X
Risk Category: X



4 Signage - Installation Details
Scale: 1/8" = 1'-0"

- Survey Notes:**
- Verify dedicated supply circuit is in a permanently accessible location for final hook up/future service, & is within 3'-0" of the location of the remote components for the proposed signage, or at Cima specified location.
 - Verify dedicated supply circuit is capable of providing sufficient power to meet the load of the proposed signage.

- Fabrication Notes:**
- Follow Established & Approved Manufacturing Guidelines

- Sign Installer Notes:**
- Supply/utilize appropriate installation hardware to meet actual field conditions, determined @ survey or time of install.
 - Complete final hookup to signage, if local code allows & supply circuit is provided @ time of installation.
 - No wiring is to be visible @ completion of installation w/o consulting w/ Cima's PM; unless noted within this drawing package.
 - DO NOT Penetrate roofing membrane w/o consulting w/ Cima's PM; unless noted within this drawing package.

- General Contractor Note:**
- Provide dedicated "Signage" supply circuit, terminated in a junction box suitable for climate exposure @ location specified by Cima within this drawing package, per 600.5(A), 600.5(C)(2), 600.5(D)(1).



Cima Network Inc.
121 New Britain Blvd.
Chalfont, PA 18914
office: 267.308.0575
fax: 267.308.0577
www.cimanetwork.com

This is an original, unpublished drawing, created by Cima Network, Inc. It is submitted for your exclusive review, in connection with a project being proposed by Cima Network, Inc. It is not to be shown to anyone outside your organization, nor is it to be used, reproduced, copied or exhibited in any fashion without the expressed consent of Cima Network, Inc.

Client: Bass Pro Shops
Designer: KS PM: AOH

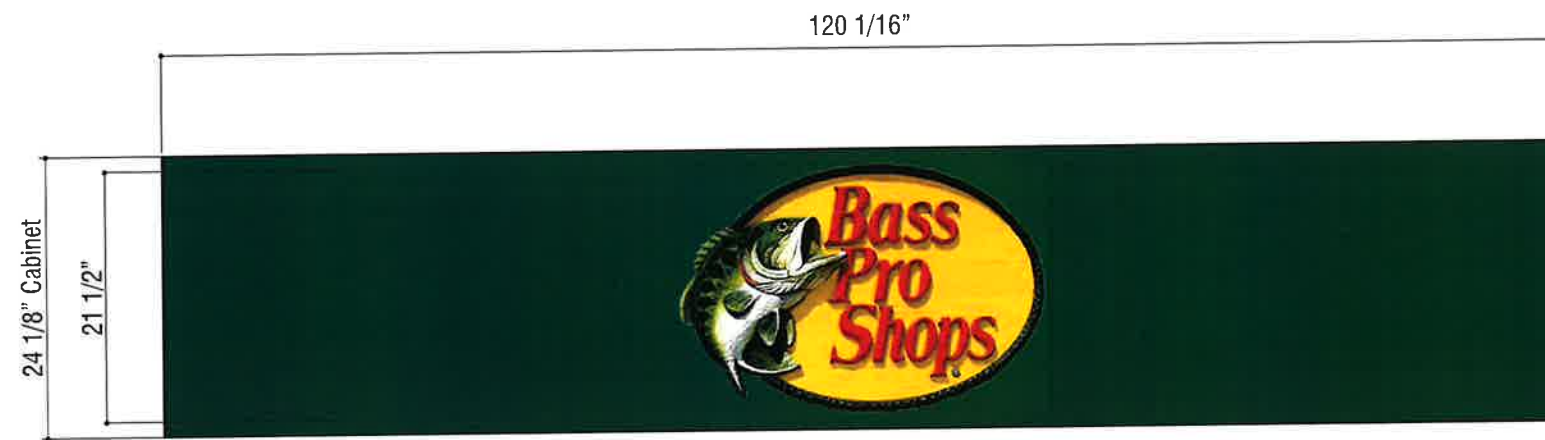
Job#: 34275
Address: 7555 SW Nyberg St, Tualatin, OR 97062

DATE 6.2.24 REVISION 5

UL ncc
Sign #6
BPS-FLX-CAB-20
(1) Req'd
SHEET 27

Colors & Finishes
 D1 Bass Pro Shops - Digitally Printed 3m™ translucent vinyl film
 P1 Paint to match BPS Green MP 8922 (Dupont 7498)
 M1 White translucent acrylic push thru (thickness TBV via tech survey)

Materials:
 1. Routed Aluminum Faces painted BPS Green, with push thru translucent acrylic and applied vinyl as noted



1 D/F Illuminated Pylon Sign Reface 20.1 sf
 Scale: 3/4" = 1'-0"
 (2) Faces Req'd.




2 Side View
 Scale: 3/4" = 1'-0"



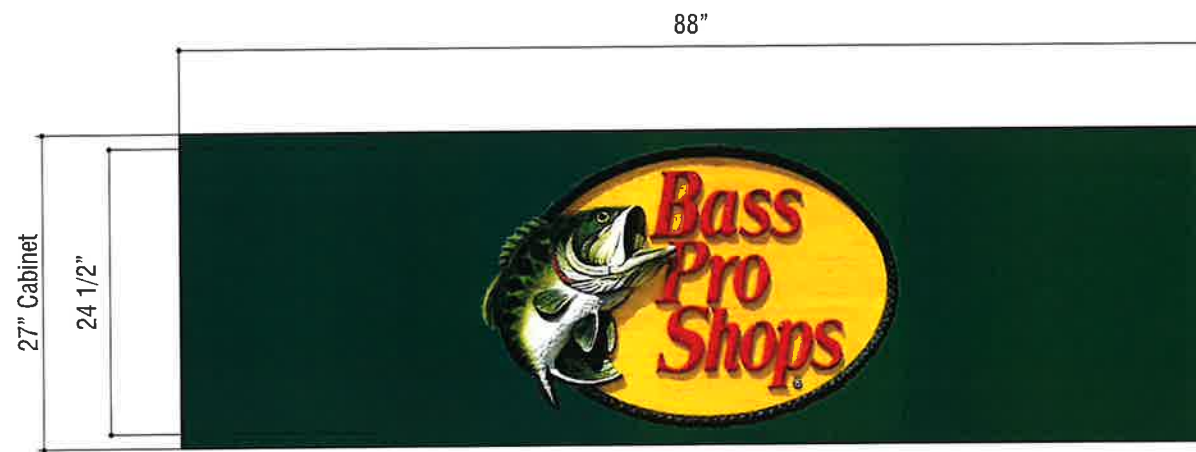
Existing Condition Photo



Proposed Rendering

Colors & Finishes
 D1  Bass Pro Shops - Digitally Printed 3m™ translucent vinyl film
 P1  Paint to match BPS Green MP 8922 (Dupont 7498)
 M1  White translucent acrylic push thru (thickness TBV via tech survey)

Materials:
 1. Routed Aluminum Faces painted BPS Green, with push thru translucent acrylic and applied vinyl as noted



1 D/F Illuminated Pylon Sign Reface **16.5 sf**
 Scale: 3/4" = 1'-0"
 (2) Faces Req'd.



2 Side View
 Scale: 3/4" = 1'-0"

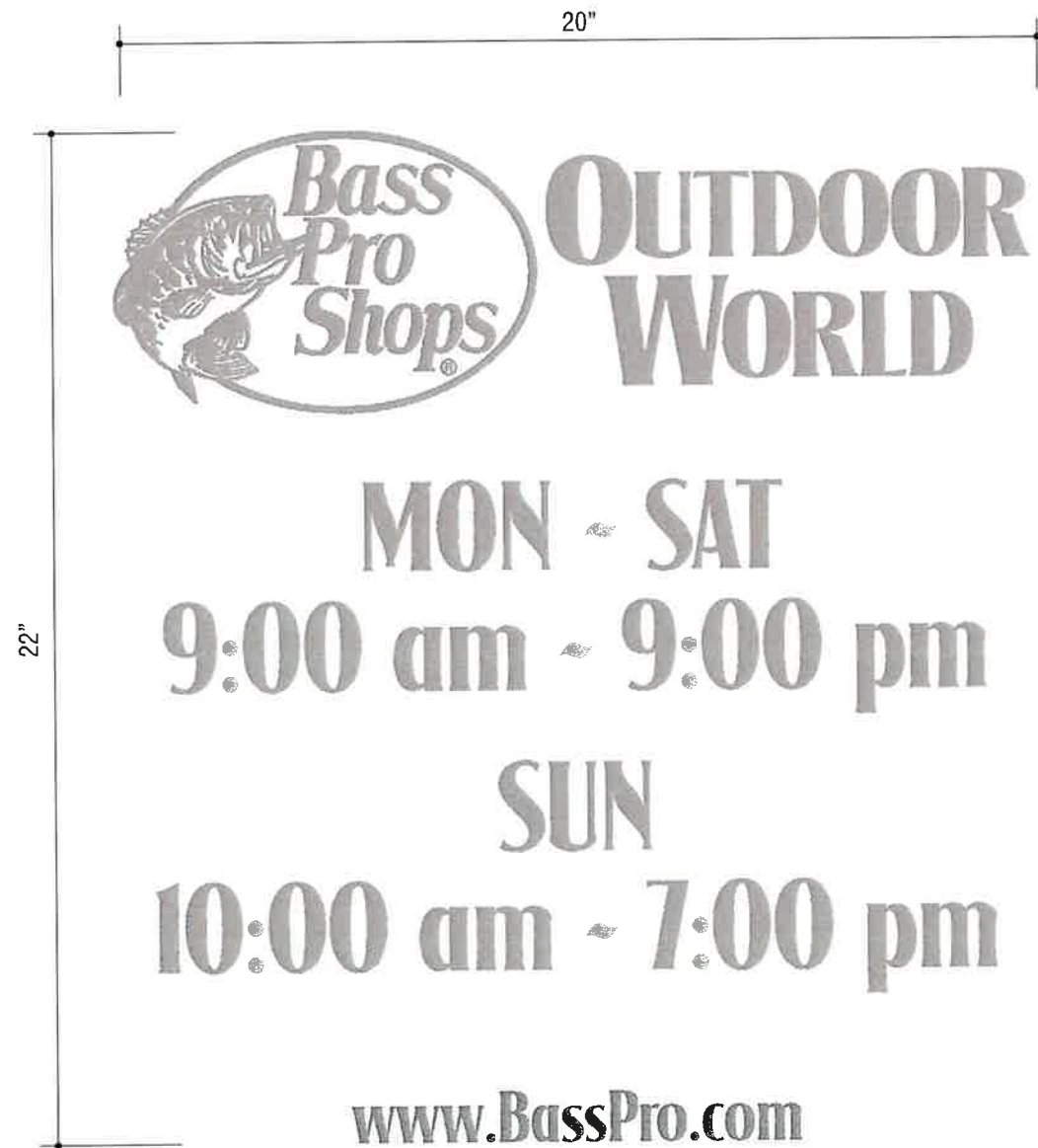


Existing Condition Photo



Proposed Rendering

Vinyl Application - First Surface



1 Entrance Vinyl - Layout View: Outdoor World
 Scale: 3" = 1'-0"

COLORS & FINISHES:

VINYL:

3M 7725SE-314, Dusted Crystal

Installation

- Apply all vinyl on FIRST surface when glass
- Clean existing glass surface prior to installation.

Alignment

- Center the logo horizontally in the door's visual opening.
- Mount vertical center at 60" AFF

Font

LHF Signmaker 2 Regular

Alignment

- Legacy Building QTY 1 – Unless mall location, QTY 2
- Next Gen Building QTY 2 – Unless mall location, QTY 3
- Outpost Building QTY 1 – Unless mall location, QTY 2



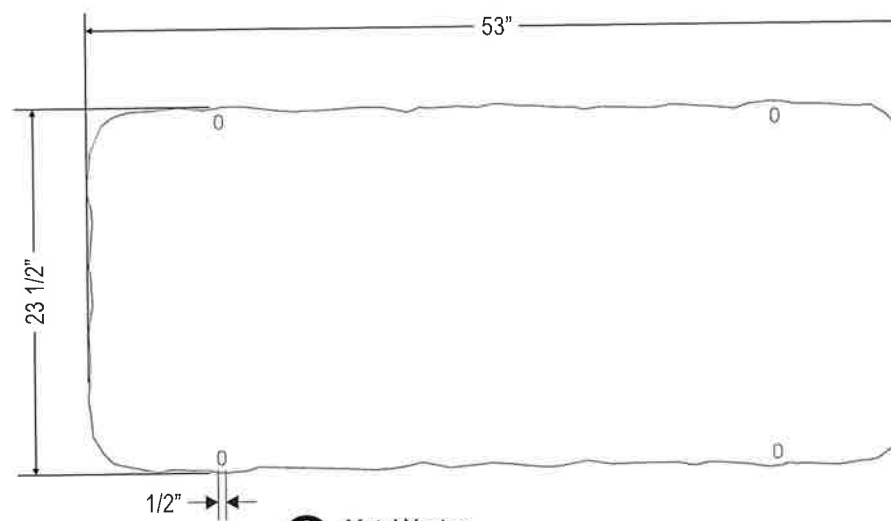
PHOTO EXAMPLE OF EXISTING VINYL

Cart Corral - Qty 5

Signs Are To Mount To Existing Posts. Existing Posts Are To Be Painted By The Store Prior To Install



1 Front View
31 Scale: 1" = 1'-0" 8.75 sf



3 Metal Vector
31 Scale: 1" = 1'-0" (1) Req'd.



2 Rear View
31 Scale: 1" = 1'-0"



5' Of Galvanized Steel Strap Included To Attach Bottom Of Panel To Corral

PARTS LIST			
Item	Qty / Sign	Part #	Description
①	8.75 ft ²	MESP-00002262	.080 ALUMINUM; SHEET MAXMETAL
②	4	HW-00000861	HARDWARE; 1/4-20 NYLON INS LOCKNUT
③	4	HW-00001630	1/4-20 X 1.00 TAP HHCS - MC CARR - 91309A542
④	8	HW-00000858	HARDWARE; 1/4-20 SAE FW (FLAT WASHER)
⑤	5 LF	HW-00000887	HARDWARE: FLEXIBLE STRAP, GALVANIZED STEEL W/ HOLES 3/4" W X 3/64" T X 10' L
CONSTRUCTION NOTES			
- Digital Print both sides, UV Laminate both sides			



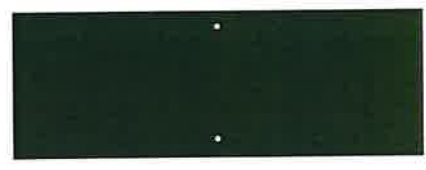
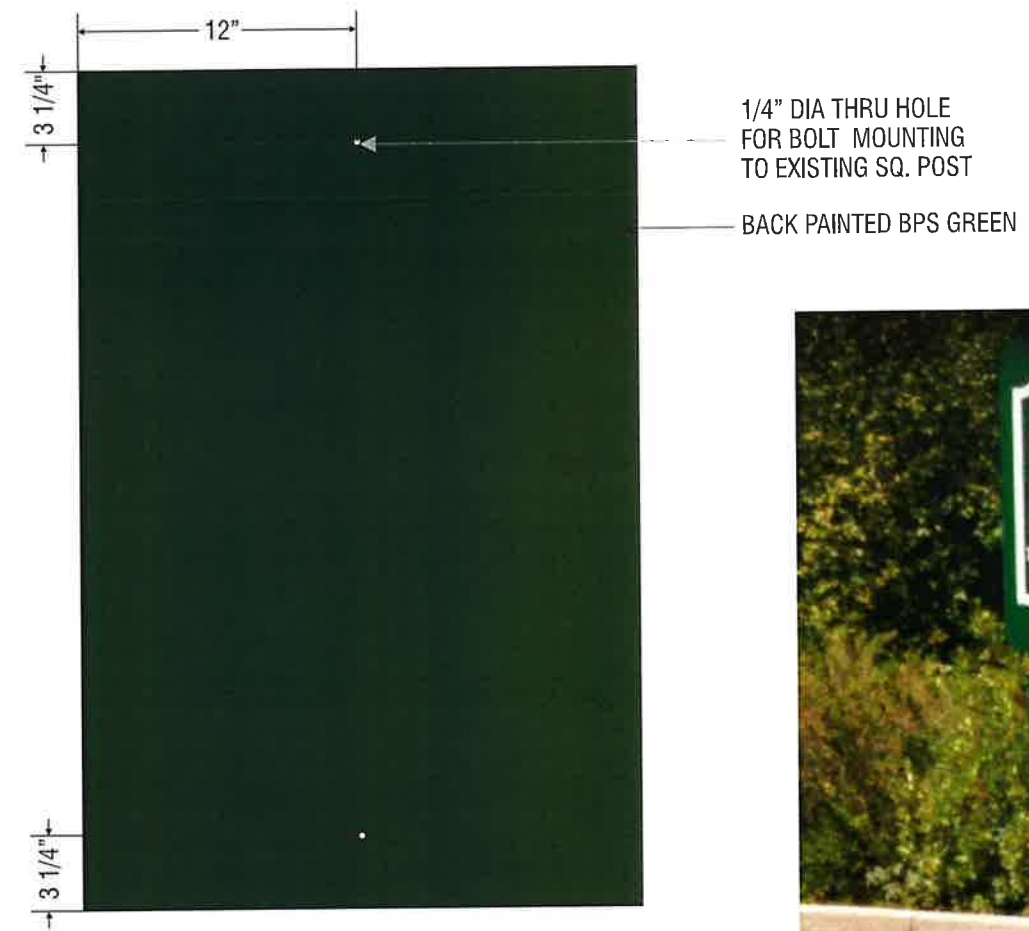
Proposed

Pet Exercise Area - Qty 1

Signs Are To Mount To Existing Posts. Existing Posts Are To Be Painted By The Store Prior To Install

FONTS	COLOR CALLOUTS
(A) FLARESERIF821 BT	(a) BPS GREEN (PAINT)

CONSTRUCTION NOTES
<ul style="list-style-type: none"> - .080" Aluminum - Paint Back BPS Green - Digitally Printed Graphics with UV Laminate



1 Front View
Scale: 1-1/2" = 1'-0" 6.0 sf

2 Rear View
Scale: 1-1/2" = 1'-0"



Existing

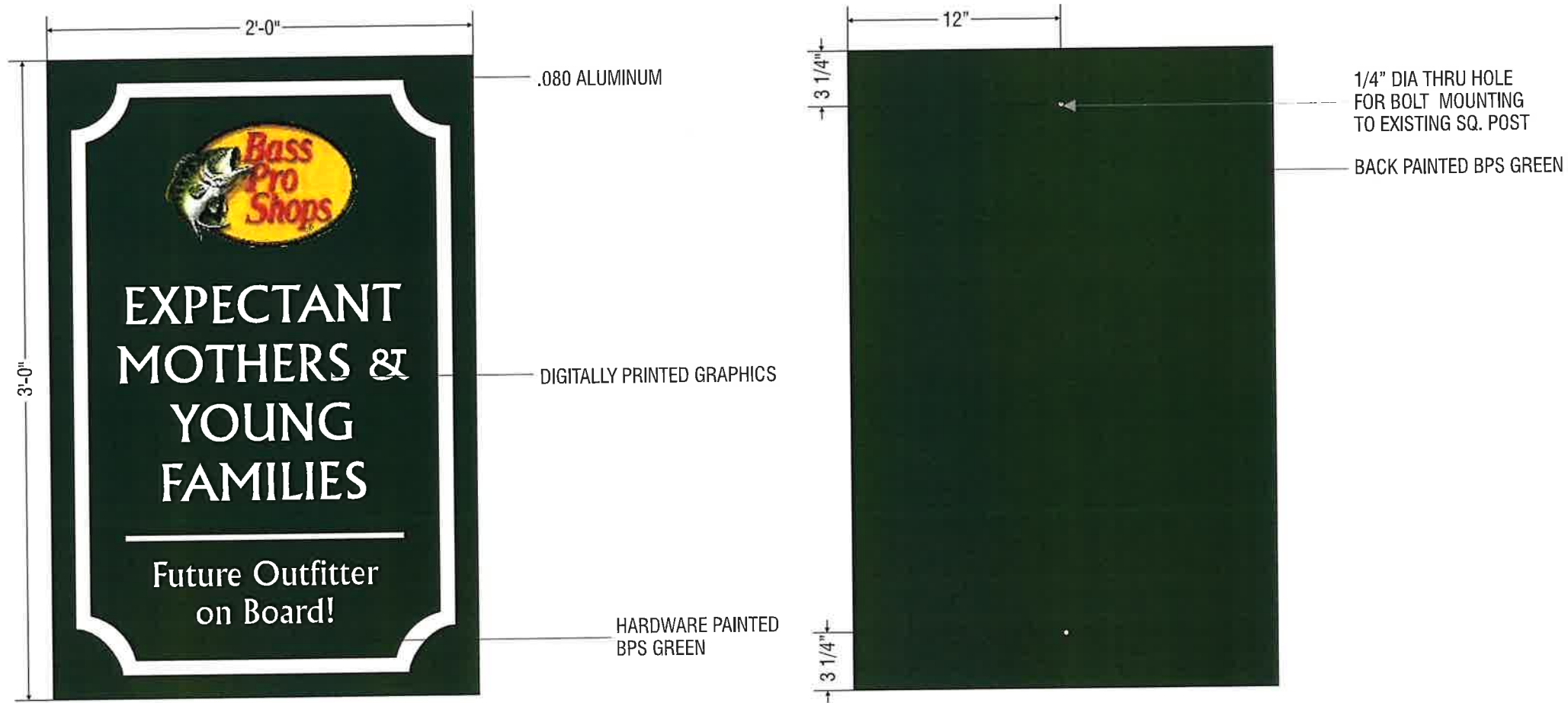
EXISTING POLE PAINTED BPS GREEN PRIOR TO INSTALLING NEW SIGN

Expectant Mothers - Qty 4

Signs Are To Mount To Existing Posts. Existing Posts Are To Be Painted By The Store Prior To Install

FONTS		COLOR CALLOUTS	
(A)	FLARESERIF821 BT	(a)	BPS GREEN (PAINT)

CONSTRUCTION NOTES
- .080" Aluminum
- Paint Back BPS Green
- Digitally Printed Graphics with UV Laminate



Existing

EXISTING POLES PAINTED BPS GREEN PRIOR TO INSTALLING NEW SIGN

1 Front View
33 Scale: 1-1/2" = 1'-0" 6.0 sf

2 Rear View
33 Scale: 1-1/2" = 1'-0"

To Remain As Is



To Be Removed

